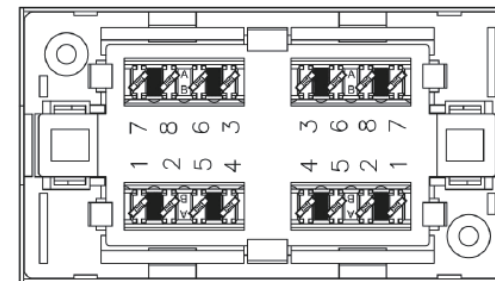
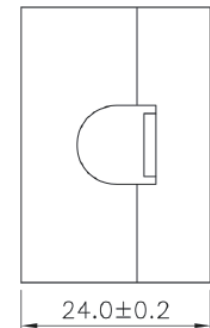
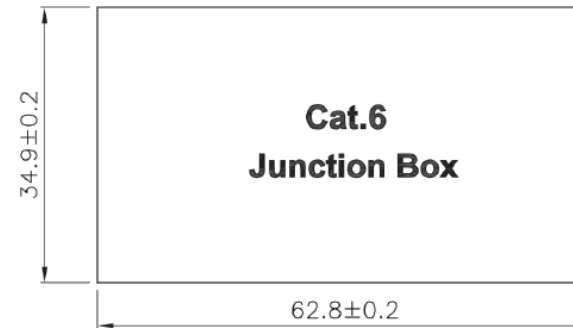
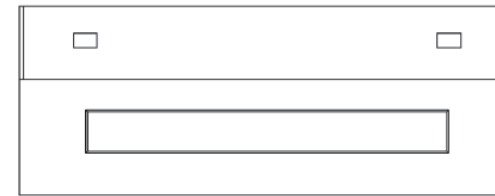
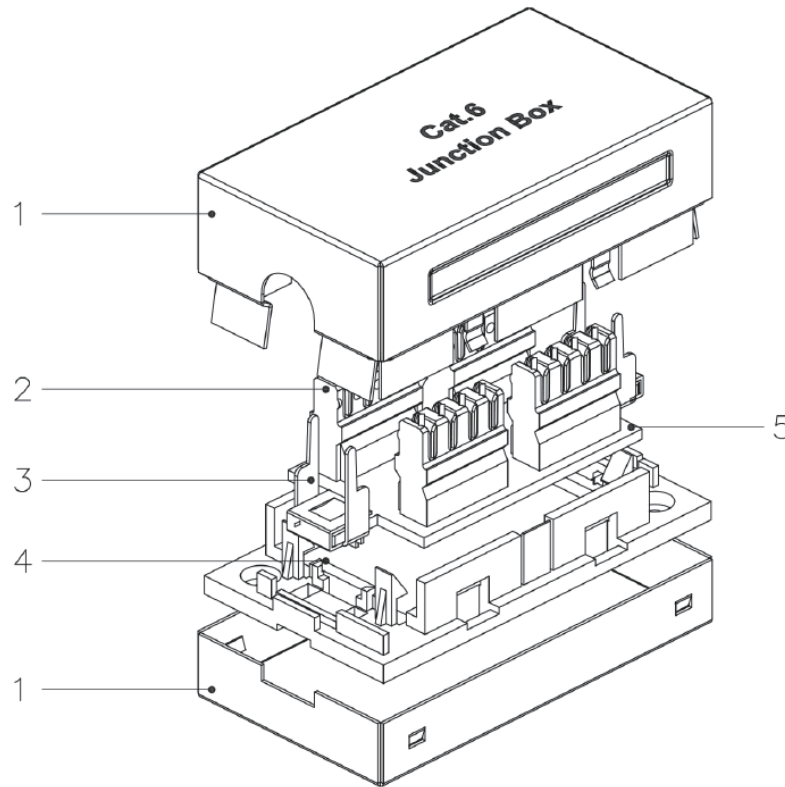


RoHS

Rev.	Description	Date
A		07-2023



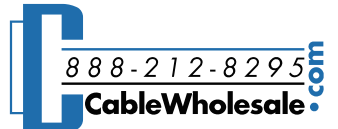
Specification:

Material:

1. Metal Cover: SPCC 0.5mm thickness with nickel plated.
2. IDC:
 - 2-1 Housing: PC UL94V-2
 - 2-2 Terminal: Phosphor Bronze with Tin Plated.
3. Cable Holder: Phosphor Bronze 0.5mm thickness with nickel plated.
4. Housing : ABS+PC ,UL 94V-0
5. PCB: FR4 UL 94V-0.

Performance:

- a. T568A&T568B wiring Printing on IDC.
- b. Operating temperature:-10 °C to 60 °C (ISO/IEC 11801, ANSI/TIA/EIA 568 C.2)
- c. Durability: IDC: Suitable for 22-26 AWG stranded and solid wire, compatible with both 110&Krone punch down tools.
- d. The Cat.6 transmission performance is in compliance with the ANSI/TIA/EIA 568 C.2 standard.

Item Number:	30X8-51100	
Title:	Shielded Cat6 Inline Junction Box, 110 Punch Down Type	
Drawn by:	JL	
Approved by:	MAC	
ID:	1	

No.	Specifications
-----	----------------