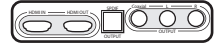


Operation Manual

HDMI-AUDIO-4K-1

HDMI Audio Extractor (Toslink S/PDIF, Coaxial Audio, RCA Audio L/R) - 4K / 60Hz



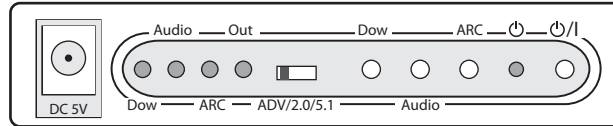
Introduction

The 4K HDMI audio extractor allows you to extract audio from a HDMI source. This is useful if you want to connect your HDMI source to a separate audio output, such as an amplifier or speaker. With support for various audio formats (DTS-HD / Dolby TrueHD, LPCM 7.1, DTS, Dolby AC-3, and DSD), the device also supports the latest HDMI sources, with support for resolutions up to 4K / 60Hz at 4:4:4 chroma subsampling. HDCP 2.2 is also supported.

Features

- Audio output supports Toslink Audio, Coaxial Audio, and L/R RCA Audio
- Supports resolutions up to 4K / 60Hz at 4:4:4 chroma subsampling
- HDCP 2.2 compliant
- HDR support (High Dynamic Range)
- Supports DTS-HD / Dolby TrueHD, LPCM 7.1, DTS, Dolby AC-3, DSD
- Operates on a 5V DC 2A power supply
- Metal housing for durability

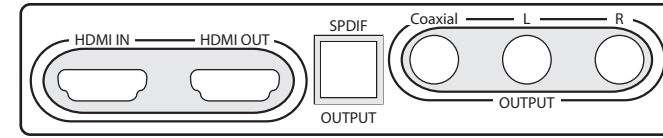
Physical Connection



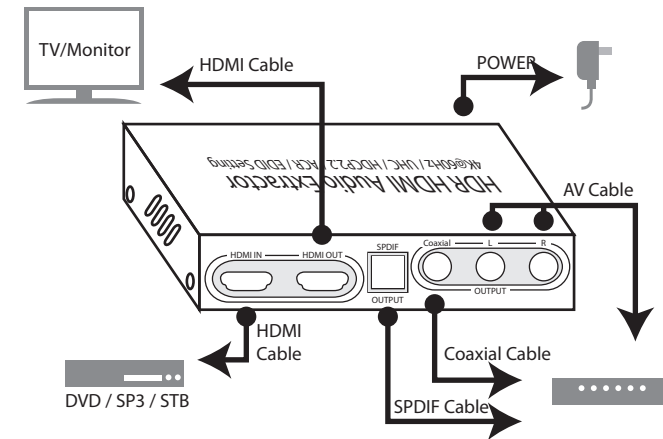
1. **DC 5V:** 5V DC power interface
2. **Dow:** Press the button if the source only supports HDMI 1.3 / 1.4 (incompatibility with HDMI 2.0 display). If button is pressed, the LED will light up when active
3. **Audio:** Press the button to output only the audio, not the video. The LED will light up when active
4. **ARC:** ARC on / off button. If ARC is on and the HDMI display supports ARC, then the toslink and coaxial port will both output the TV ARC audio
5. **Out:** HDMI output LED status light
6. **ADV/2.0/5.1:** Switches between ADV, 2.0, 5.1 audio output modes. When switching to the 5.1 audio mode, the digital audio receiving terminal must support DTS / Dolby-AC3 decoding or it will have no sound output. Switch to the 2.0 audio mode to have sound output. When the ADV (Advanced Audio) option is selected, the audio output format will be decided by the audio signal receiving source's decoding ability. The device will output 7.1 channel audio while the output end connects to the AV amplifier with HDMI port that supports 7.1 channel audio decoding

7.  Standby LED Light

8.  | Power On/Off Button



1. **HDMI In:** HDMI input port
2. **HDMI Out:** HDMI output port (supports ARC)
3. **SPDIF Output:** Toslink output port
4. **Coaxial:** Coaxial output port
5. **L/R:** RCA port



1. Use one HDMI cable to connect the HDMI source to the HDMI input on the HDMI audio extractor
2. Use one HDMI cable to connect the HDMI display to the HDMI output on the HDMI audio extractor
3. Connect either the toslink, coaxial, or L/R RCA to your device

Operation Manual

Specifications	
HDMI Resolutions	4K / 60Hz 4K / 30Hz 1080p 1080i 720p 576p 567i 480p 480i
Audio Formats	DTS-HD / Dolby TrueHD LPCM 7.1 DTS Dolby AC-3 DSD
Maximum Bandwidth	600MHz
Maximum Baud Rate	18Gbps
Input / Output TMDS Signal	0.5 ~ 1.5 Volts p-p (TTL)
Input / Output DDC Signal	5 Volts p-p (TTL)
Input / Output Cable Distance	* ≤32 feet (1080p) / 16ft (4K) 28AWG HDMI cable
Maximum Working Current	700mA
Power Adapter	AC (50Hz / 60Hz): 100V-240V; Output: 5V DC / 2A
Operating Temperature	32°F ~ 104°F (-0° ~ +40°C)
Storage Temperature	-4°F ~ 140 °F (-20° to +60°C)
Operating Humidity Range	5 to 85% RH (No Condensation)
Storage Humidity Range	5 to 95% RH (No Condensation)

Dimensions	4.13x2.24x0.89 inches (105x56.8x22.5mm)
Weight	0.35 lbs (160g)

What's Included	
Package Includes	1 - HDMI audio extractor 1 - 5V 2A power adapter 1 - User Manual

Troubleshooting	
No Power	1. Check if the power adapter connector is fully plugged in 2. Check the LED power switch to see if it's on
No Picture	1. Make sure the TV is on and connected with the HDMI extractor 2. Check the HDMI cable and make sure you are using the correct lengths and wire gauge
No Sound	Make sure the correct audio format is used

* Input / Output Cable Distances may vary. Longer lengths may be able to be achieved through cables with higher specifications