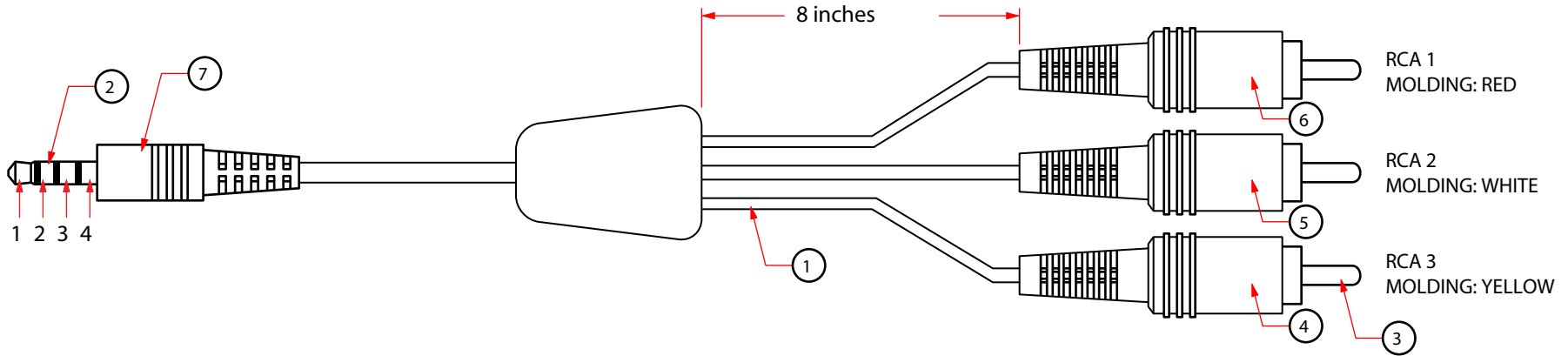


| REV. | DESCRIPTION | DATE |
|------|-------------|---------|
| A | | |
| B | | 09-2006 |



| Pin Assignment | |
|----------------|---------------|
| 3.5mm Male | RCA Male |
| 1 | RCA 1: Red |
| 2 | RCA 2: White |
| 3 | Ground |
| 4 | RCA 3: Yellow |

| PART NO. | CABLE LENGTH |
|------------|--------------|
| 10A1-05103 | 3 ft |
| 10A1-05106 | 6 ft |

| | |
|----------|---|
| 7 | 3.5mm Stereo PVC Molding, Color: White |
| 6 | RCA PVC Molding, Color: Red |
| 5 | RCA PVC Molding, Color: White |
| 4 | RCA PVC Molding, Color: Yellow |
| 3 | RCA Male, Gold Plating |
| 2 | 3.5mm Stereo Male, Gold Plating |
| 1 | Cable: [28AWG(7*0.12) x 3 + SP(16*0.12)] Conductor: Bare Copper. Insulation: Color: Red, White & Yellow. Jacket: Color: White |
| NO. | SPECIFICATIONS |
| BOM LIST | |

| | | | | | |
|-------------|--|------|------|----------|-----|
| ITEM NUMBER | 10A1-051xx | | | DRAWER | MPD |
| TITLE | 3.5mm 4-Pole Male to 3 x RCA Male iPod Audio / Video Cable | | | CHECKED | MAC |
| MATERIAL | SCALE | | | APPROVED | MAC |
| REV. | A | UNIT | INCH | | |
| DRAWING NO: | | | | | |