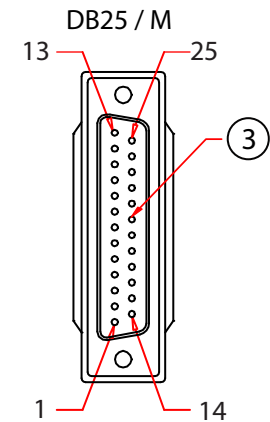
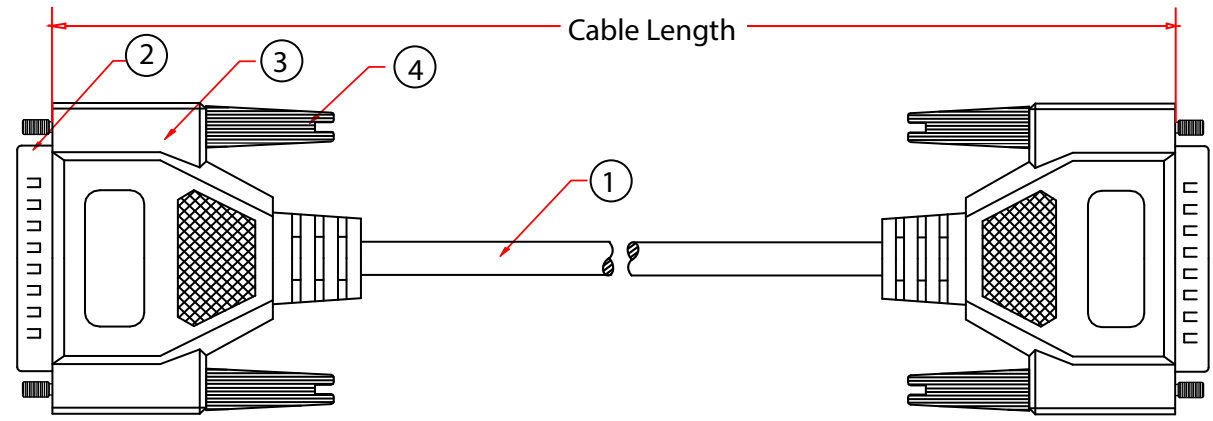
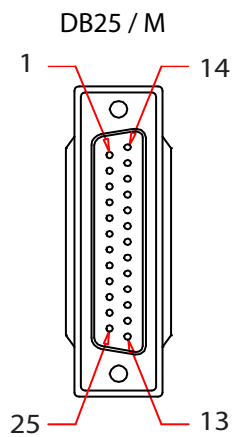
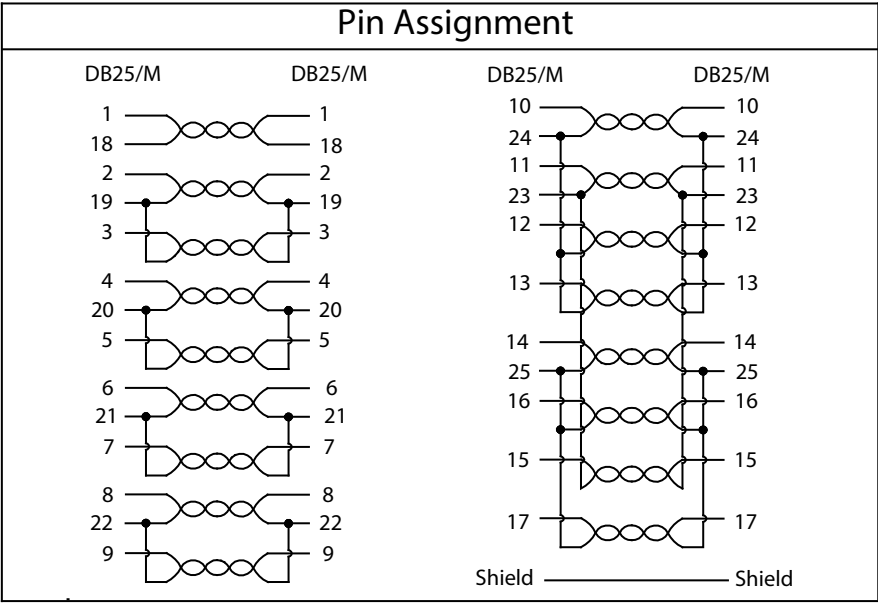


Rev.	Description	Date
A		05-2019



RoHS



PART NO.	CABLE LENGTH
10E2-05106	6 FT
10E2-05115	15 FT

		Item Number:	10E2-051xx	
4	#4-40 Molded Thumbscrew, Color Beige	Title:	Bidirectional Printer Cable, DB25 Male, 18 Twisted Pairs, A/A Type	
3	Beige Molded PVC Hood, Fully Shielded w/AL-Foil	Drawn by:	JL	
2	D-Sub 25 Pin Male, w/Gold Plating Contacts	Approved by:	MAC	
1	IEEE-1284, 28AWG 18 Twisted Pairs + Drain Wire, Double Shielded with AL-Foil & Copper Braid, Beige Outer PVC Jacket	ID:	1	
No.	Specifications			