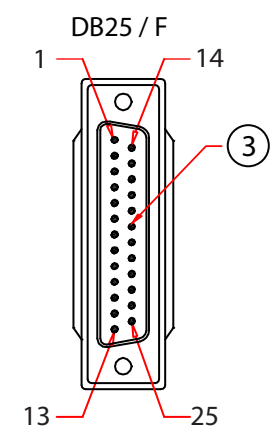
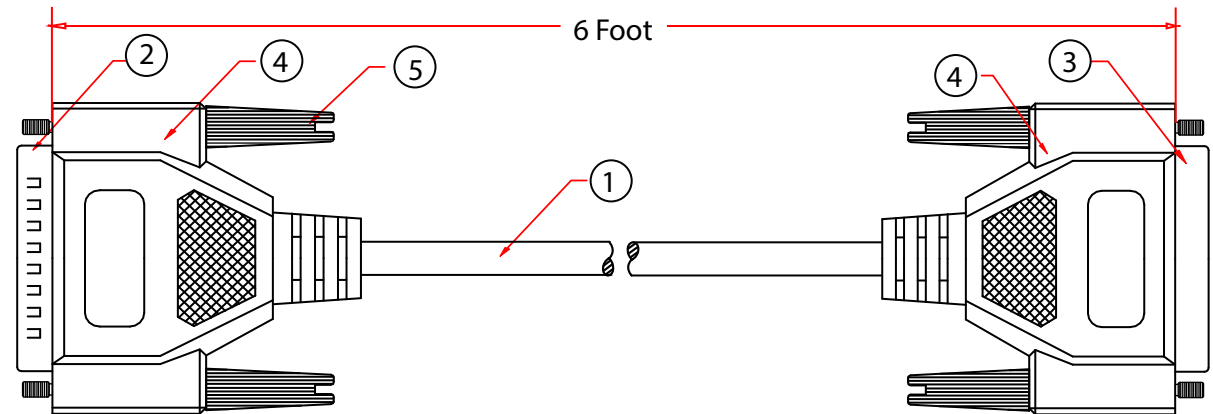
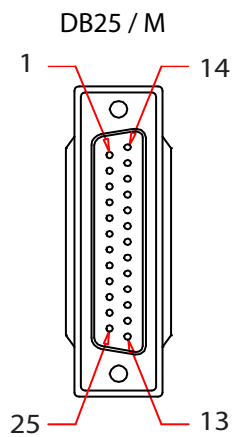
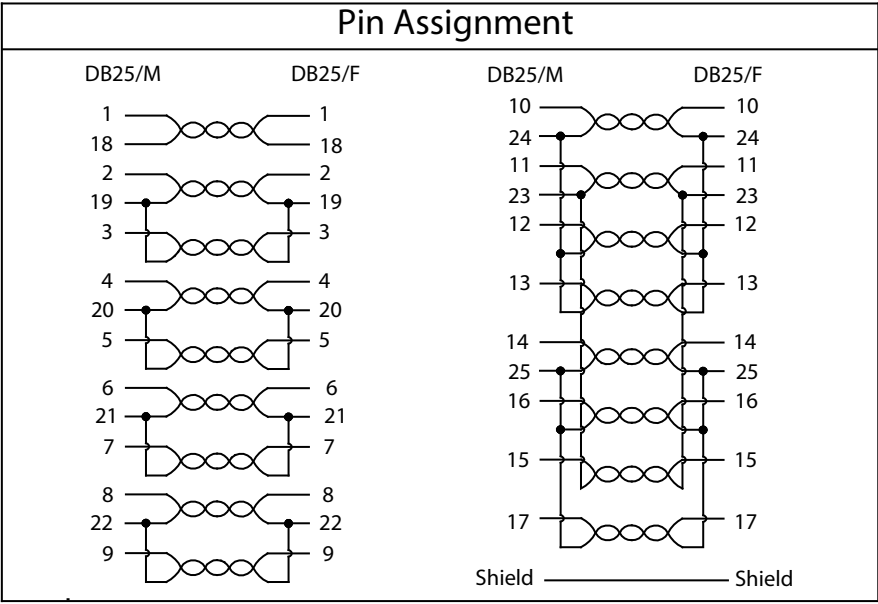


Rev.	Description	Date
A		05-2019



RoHS



5	#4-40 Molded Thumbscrew, Color Beige	Item Number:	10E2-05206
4	Beige Molded PVC Hood, Fully Shielded w/AL-Foil	Title:	Bidirectional Printer Cable, DB25 Male to DB25 Female, 18 Twisted Pairs, A/A Type, 6 foot
3	D-Sub 25 Pin Female, w/Gold Plating Contacts		
2	D-Sub 25 Pin Male, w/Gold Plating Contacts	Drawn by:	JL
1	IEEE-1284, 28AWG 18 Twisted Pairs + Drain Wire, Double Shielded with AL-Foil & Copper Braid, Beige Outer PVC Jacket	Approved by:	MAC
No.	Specifications	ID:	1

