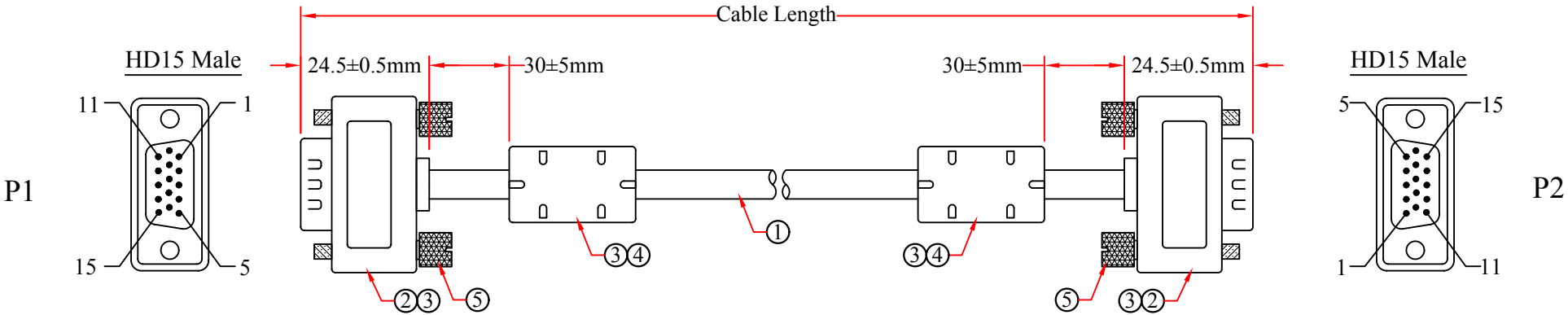


REV.	DESCRIPTION	DATE
A		04-3012



Pin Assignment			
P1	P2	P1	P2
1 — Red — 1	9 ————— 9		
6 — Green — 6	10 ————— 10		
2 — Blue — 2	11 ————— 11		
7 ————— 7	12 ————— 12		
3 ————— 3	13 ————— 13		
8 ————— 8	14 ————— 14		
4 ————— 4	15 ————— 15		
5 ————— 5	Shell — Drain+Braid — Shell		

RoHS

PART NO	CABLE LENGTH
10H1-11103	3 ft
10H1-11106	6 ft
10H1-11110	10 ft
10H1-11115	15 ft
10H1-11125	25 ft
10H1-11150	50 ft

5	Screw #4-40, Ø6.25*L 25.5mm
4	Ferrite Core 12*5.6*20mm
3	Black Molded PVC Hood
2	HD15 Male With Threaded Nut(2Pcs) Inside,4.75*5.5mm,Gold Flash On Contacts,Metallize Type,Blue Insulator
1	UL20276 [32AWG(1C+D+FAM)*3C+9C*30AWG]+AL+D+B,OD:4.6mm,Black PVC Jacket
NO.	SPECIFICATIONS
	BOM LIST

ITEM NUMBER	10H1-111xx		DRAWER	JL
TITLE	HD15 (SVGA) Male / HD15 (SVGA) Male Slim 32AWG, Coaxial, w/ Ferrites, Black		CHECKED	
MATERIAL	SCALE		APPROVED	
REV.	A	UNIT	INCH	
DRAWING NO:				