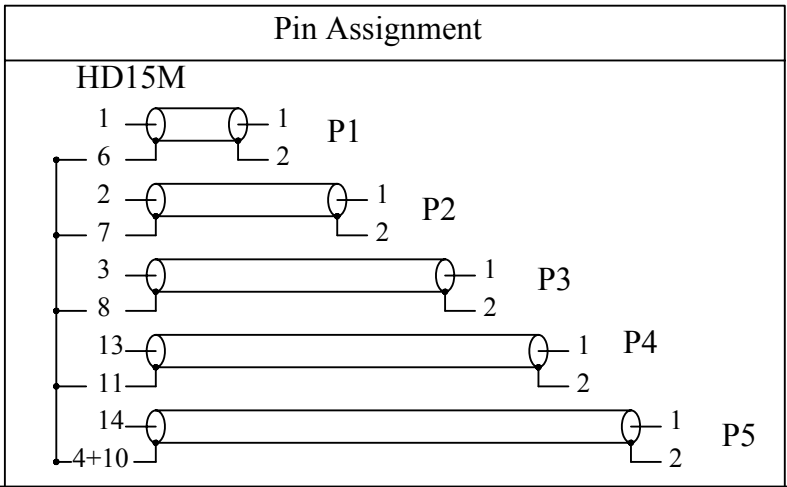
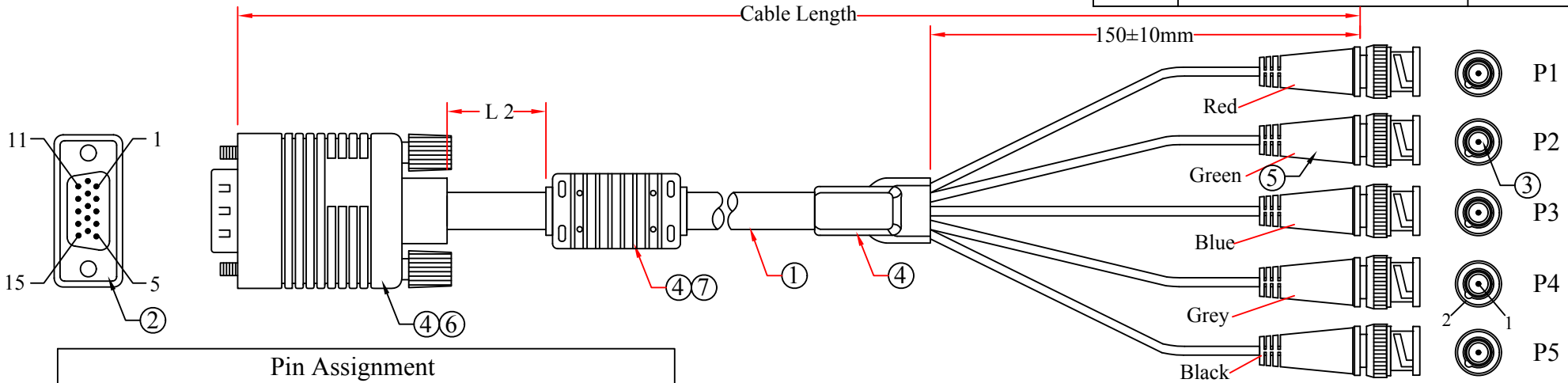


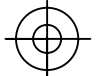
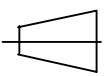
REV.	DESCRIPTION	DATE
A		11-2012



RoHS

PART NO.	CABLE LENGTH	L 2
10H1-18101BK	1 FT	30±5 mm
10H1-18106BK	6 FT	75±5 mm
10H1-18110BK	10 FT	75±5 mm
10H1-18115BK	15 FT	75±5 mm
10H1-18125BK	25 FT	75±5 mm
10H1-18135BK	35 FT	75±5 mm
10H1-18150BK	50 FT	75±5 mm

NO.	SPECIFICATIONS
7	Core 10.7*16*28mm
6	Screw 4#40, Black Molded PVC
5	Red / Green / Blue/Grey / Black Molded PVC Hood
4	Black Molded PVC Hood
3	BNC Male, Nickel Plated
2	HD15 Male ,Insulation: Blue,Shell Nickel Plated, Fully Shielded w/Al-Foil
1	UL2919[28AWG(7/0.12 TC FM-PE)+S(26/0.10 TC)]*5COAX,w/Al-Foil & Braid Shield, OD: 9.0mm, Black PVC Jacket
BOM LIST	

ITEM NUMBER	10H1-181xxBK			DRAWER	JL
TITLE	SVGA to BNC (5 Male) Breakout Cable, Double Shielded, Black			CHECKED	
MATERIAL		SCALE		APPROVED	
REV.	A	UNIT	INCH		
DRAWING NO:				