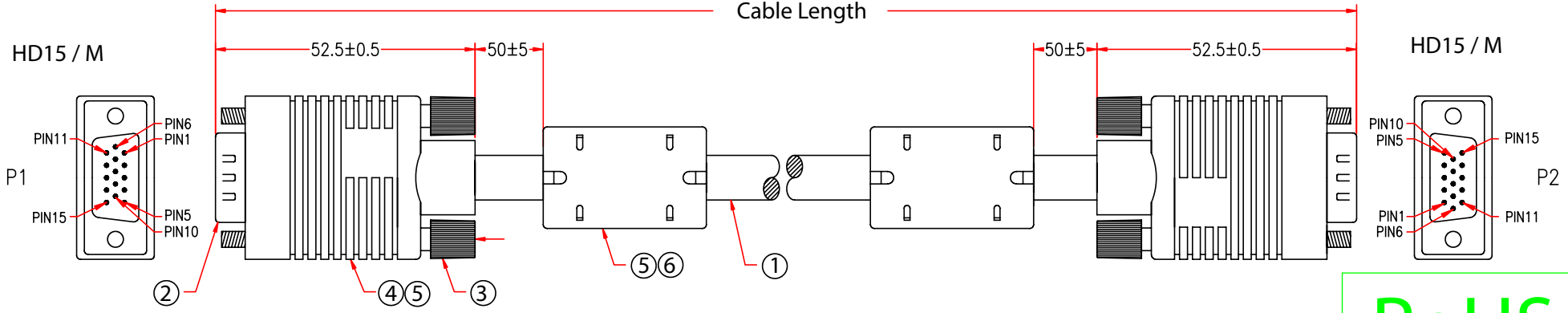


Rev.	Description	Date
A		04-2024



RoHS

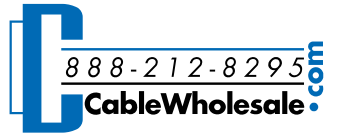
Pin Assignment

HD15 Male	HD15 Male	HD15 Male	HD15 Male
1	1 Red Coax	9	9 Yellow
6	6 Red Coax Shield	5	5 Red
2	2 Green Coax	12	12 Red / White
7	7 Green Coax Shield	10	10 Orange
3	3 Blue Coax	13	13 Orange / White
8	8 Blue Coax Shield	11	11 Black
4	4 Brown	15	15 Black / White
14	14 Brown / White	Shell	Shell

Cable Length Tolerance:	
0~200mm	±10mm
201~1000mm	±20mm
1001~1500mm	±25mm
1501~2100mm	±30mm
2100mm↑	±40mm

PART NO.	CABLE LENGTH
10H1-20103	3 ft
10H1-20110	10 ft
10H1-20115	15 ft
10H1-20125	25 ft
10H1-20135	35 ft
10H1-20150	50 ft
10H1-201HD	100 ft

6	Ferrite Core: 17.5*10.5*28.5mm
5	Molded PVC Black
4	Molded PE Color Transparent
3	Molded Thumbscrew #4-40, Length 48mm, Black
2	HD15 Male, Gold Flash on Contacts, Blue Insulator
1	UL2919 [(28AWG+AL+S(29/0.10mmTS))*3Coax+28AWG*4.5Pair+AL+D+AMA Braid(47%), OD:9.0mm, PVC Jacket Black (Groove)]
No.	Specifications

Item Number:	10H1-201xx	
Title:	SVGA Cable with Ferrites, Black, HD15 Male, Coaxial Construction, Double Shielded	
Drawn by:	JL	
Approved by:	MAC	
ID:	1	