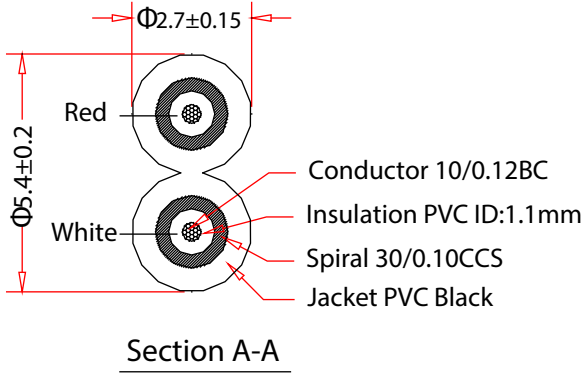
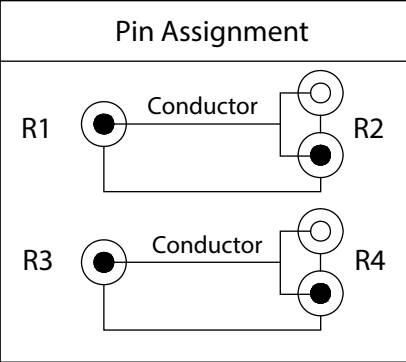
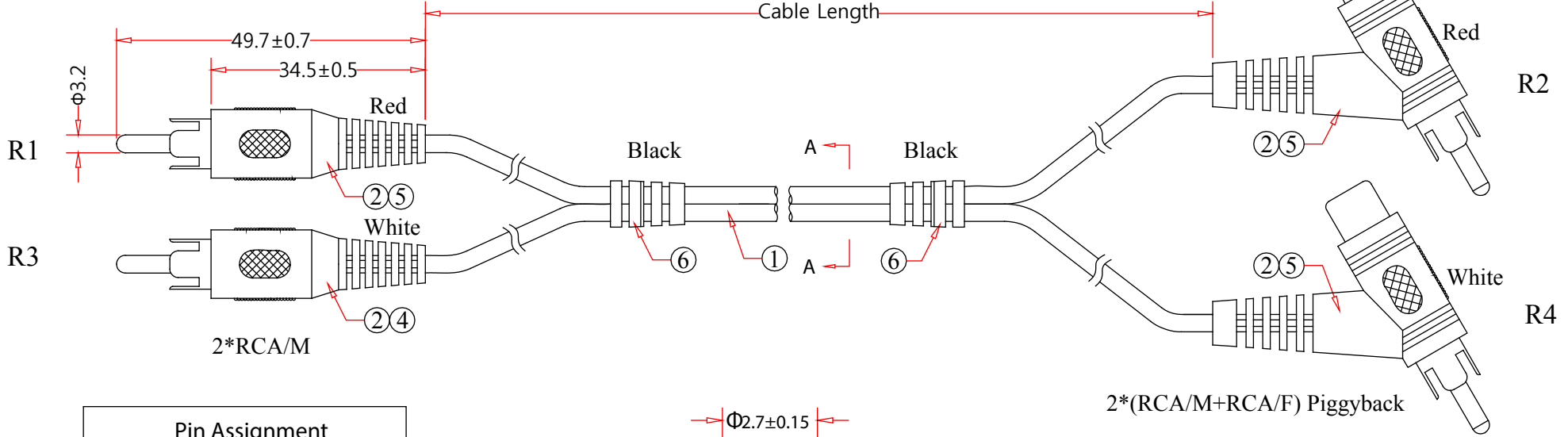


RoHS

Rev.	Description	Date
A		12-2018



PART NO.	CABLE LENGTH
10R1-02506	6 FT
10R1-02512	12 FT

No.	Specifications
6	Black Molded PVC
5	Red Molded PVC
4	White Molded PVC
3	RCA Male To RCA Female, Shell Nickel Plated
2	RCA Male, Shell Nickel Plated
1	(10/0.12 BC*1C+Srial 30/0.10CCS)*2F, OD:2.7*5.4mm, Black PVC Outer Jacket

Item Number:	10R1-025xx	
Title:	RCA Audio Piggyback Cable, 2 RCA Male to 2 RCA Male + RCA Female Piggyback	
Drawn by:	JL	 888-212-8295
Approved by:	MAC	
ID:	18	