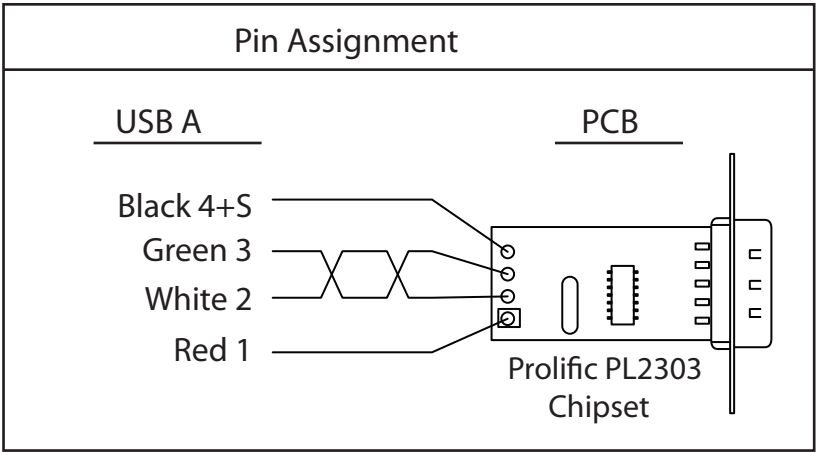
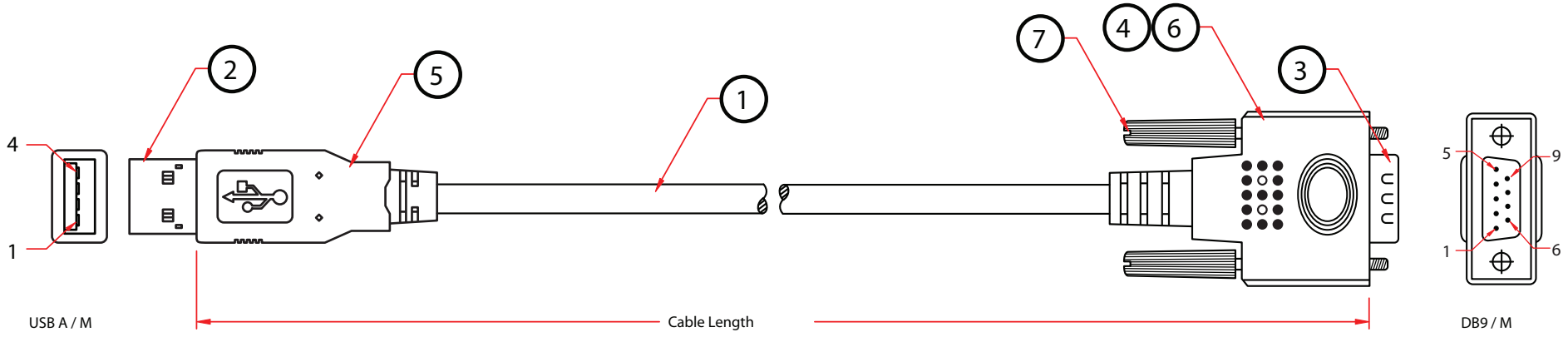


REV.	DESCRIPTION	DATE
A		
B		02-2008



PART NO.	CABLE LENGTH
10U1-06101	1 ft
10U1-06103	3 ft

7	4-40 Molded Thumb Screw
6	Molded PVC Hood, Fully Shielded w/AL-Foil, 65P Transparent Black (B8Z) PVC
5	USB A Male, 45P Transparent Black (B8Z) PVC
4	PN: PL2303
3	DB9 Male W/Gold Plating Contacts
2	USB Type A Male
1	UL2725, 1 Pair (28AWG/7*0.12) + 2C (26AWG/7*0.20) + AL+Braid, OD: 4.7+/-0.15mm
NO.	SPECIFICATIONS
	BOM LIST

ITEM NUMBER	10U1-061xx			DRAWER	MPD
TITLE	USB A Male to DB9 Male, Adaptor Cable			CHECKED	MAC
				APPROVED	MAC
MATERIAL		SCALE			
REV.	A	UNIT	INCH		
DRAWING NO:					
				<p>888-212-8295.com</p> <p>CableWholesale</p>	