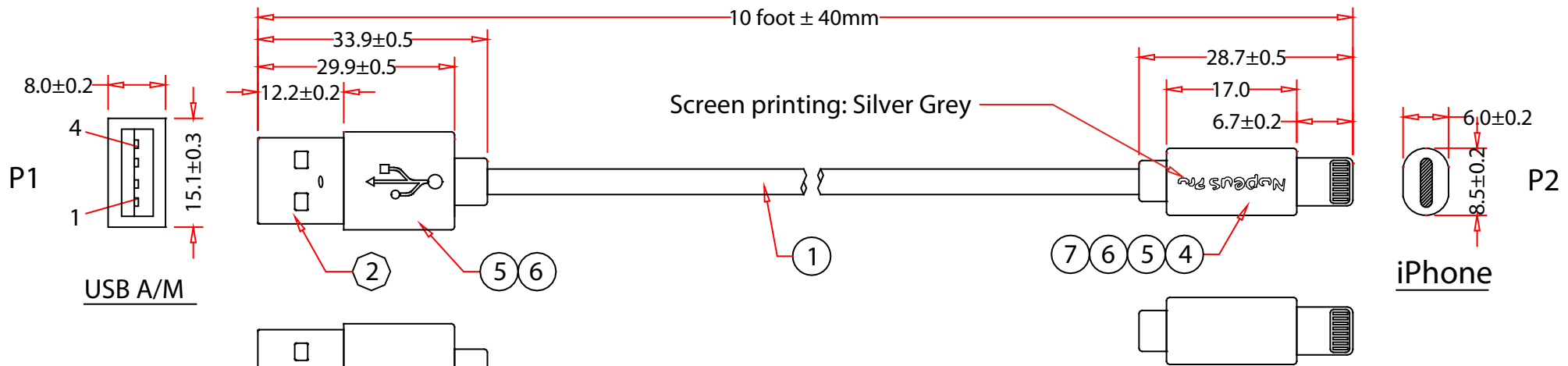


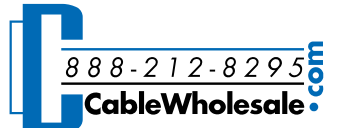
Rev.	Description	Date
A		02-2022



Pin Assignment		
P1	Wire Color	P2
1	Red	4 18#
2	Green	3 28#
3	White	2 28#
4		1
Shell	Braid	Shell

RoHS

7	iPhone Tinplate
6	Expansion Board
5	Outer Molding LSZH Apple White: GP520-8516(WH218)
4	Inner Molding PE, Color Transparent
3	iPhone Plug, Gold Flash on Contacts, White Insulator, P/N:C48B MFI677-2166
2	USB A Type Male, Gold Flash on Contacts, White Insulator, Short One Piece Type
1	NON-UL [28AWG(7/0.127TC)*2C+18AWG(105/0.10TC)*1C]+AB,OD:4.2mm, Jacket LSZH Apple White
No.	Specifications

Item Number:	10U2-05110WH	
Title:	Apple Lightning Authorized White iPhone, iPad, iPod USB Charge and Sync Cable, 10 foot	
Drawn by:	JL	
Approved by:	MAC	
ID:	1	