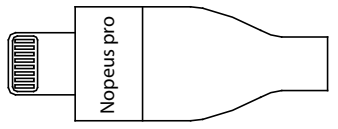
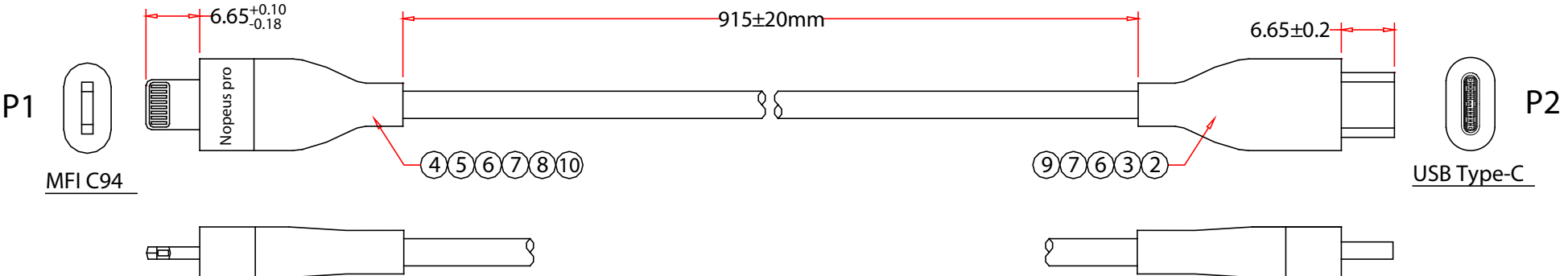


Rev.	Description	Date
A		05-2021

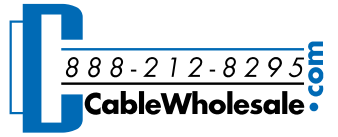


Pin Assignment	
P1	P2
MFI C94	USB Type-C
VBUS 1	Red (A4+B4+A9+B9) VBUS
D- 2	White (A7) D-
D+ 3	Green (A6) D+
CC 4	Blue (A5) CC
GND 5	2E (A1+B1+A12+B12) GND
Shield	Braid Shield

RoHS

- NOTES:**
- 1.Electrical Test:
    - (1) 100% Open Short & Miswire Test.
    - (2) Connection Resistance 3 Ω max.
    - (3) Insulation Resistance 10 MΩ min.
    - (4) DC 300V/ 10ms

10	USB2.0 Type C, ABS White Shell
9	MFI C94 ABS White Shell
8	Copper Foil 25u W=5mm
7	Outer Molding: PVC, White
6	Inside Molding: PP
5	USB2.0 Type C , the Tinplate
4	USB2.0 Type C , Connector with PCB, White Insulation
3	MFI C94 Connector, the Tinplate
2	MFI C94 Connector, Shell Nickel Plated
1	22AWG (41/0.10TC+250D Nylon)*1C+29AWG(19/0.07TC)*2C+30AWG(26/0.05TC)*1C+ Drain*2+AL+Braid, OD:3.7mm, PVC White Jacket
No.	Specifications

Item Number:	10U2-25103	
Title:	USB Type C to Lightning, White, 3 foot	
Drawn by:	JL	
Approved by:	MAC	
ID:	1	