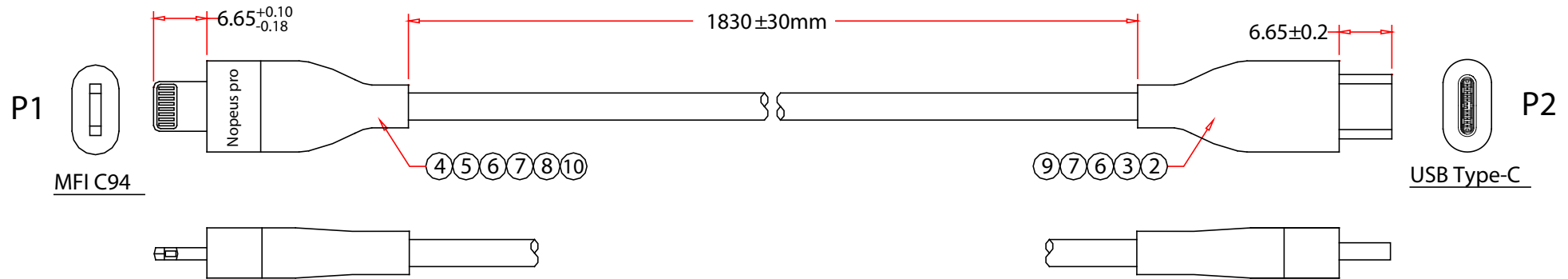


Rev.	Description	Date
A		05-2021



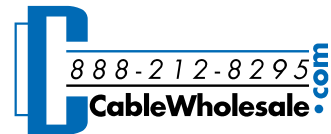
Pin Assignment	
P1 MFI C94	P2 USB Type-C
VBUS 1 — Red — (A4+B4+A9+B9)	VBUS
D- 2 — White — (A7)	D-
D+ 3 — Green — (A6)	D+
CC 4 — Blue — (A5)	CC
GND 5 — 2E — (A1+B1+A12+B12)	GND
Shield — Braid — Shield	

RoHS

NOTES:

1. Electrical Test:
 (1) 100% Open Short & Miswire Test.
 (2) Connection Resistance 3 Ω max.
 (3) Insulation Resistance 10 MΩ min.
 (4) DC 300V/ 10ms

10	USB2.0 Type C, ABS White Shell
9	MFI C94 ABS White Shell
8	Copper Foil 25u W=5mm
7	Outer Molding: PVC, White
6	Inside Molding: PP
5	USB2.0 Type C, the Tinplate
4	USB2.0 Type C, Connector with PCB, White Insulation
3	MFI C94 Connector, the Tinplate
2	MFI C94 Connector, Shell Nickel Plated
1	20AWG (68/0.10TC+250D Nylon)*1C+27AWG(14/0.10TC+250D Nylon)*2C+30AWG (26/0.05TC+250D Nylon)*1C+Drain*3+AL+Spiral, OD:3.7mm, PVC White Jacket
No.	Specifications

Item Number:	10U2-25106	
Title:	USB Type C to Lightning, White, 6 foot	
Drawn by:	JL	
Approved by:	MAC	
ID:	1	