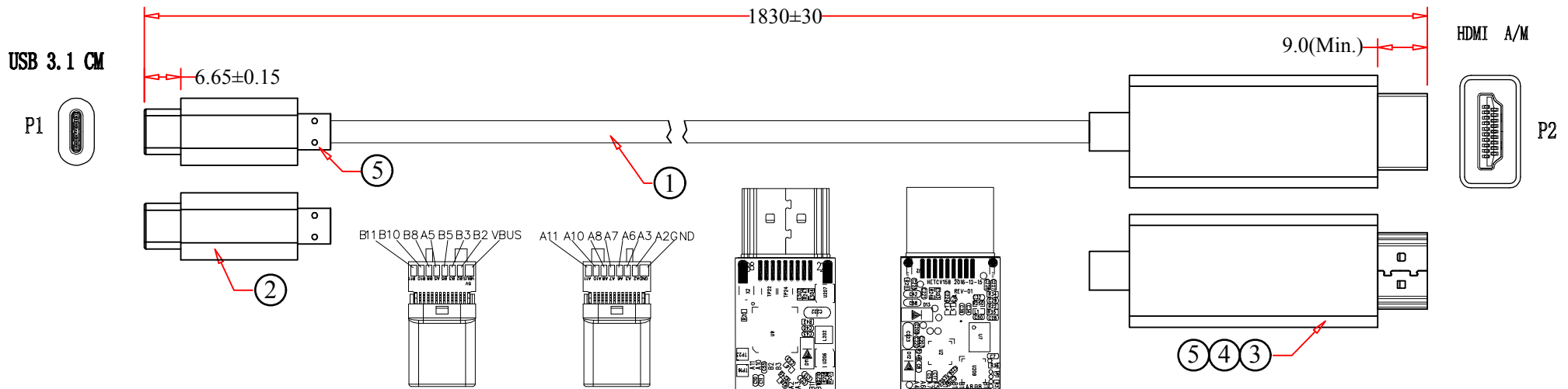
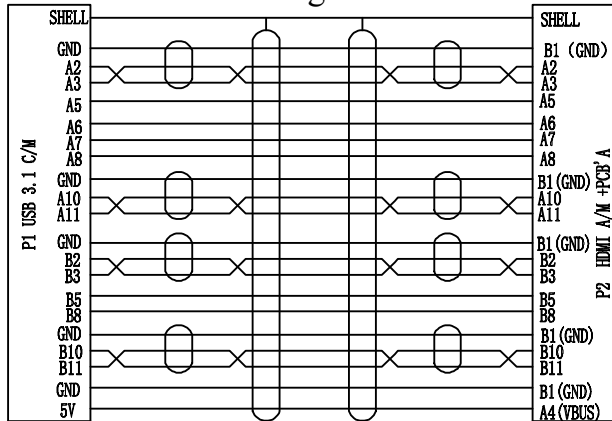


REV.	DESCRIPTION	DATE
A		01-2018



RoHS

**Pin Assignment**



**NOTES:**

- 1.Signal source resolution UXGA :3840\*2160P
- 2.Refresh rate:60HZ
- 3.Video display, no signal jitter, drag shadow, ghosting, color loss and other display anomalies
4. The voice is clear and there is no noise

5	Molded Black PVC Hood	
4	Inner Molding PE Nature	
3	HDMI A/M to PCB'(CCG2+PS176) , G/P On Contacts & Shell, Black ABS Cover L45*W21.2mm	
2	3.1 Type C Male to PCB ,Gold Plated On Contacts & Shell,Black ABS Cover L21*12.25mm	
1	Cable: USB3.1 (#32*1P+D+AL+HM)*4C+#32*4C+#32*1P+#24*2C+AB Black PVC OD:4.7mm	
NO.	SPECIFICATIONS	
	BOM LIST	

ITEM NUMBER	10U2-34006	DRAWER	JL
TITLE	USB Type C Male to 4K HDMI Male Cable, Black, 6 Foot	CHECKED	
MATERIAL	SCALE	APPROVED	
REV.	A	UNIT	MM
DRAWING NO:			
ID(NO.)	223		