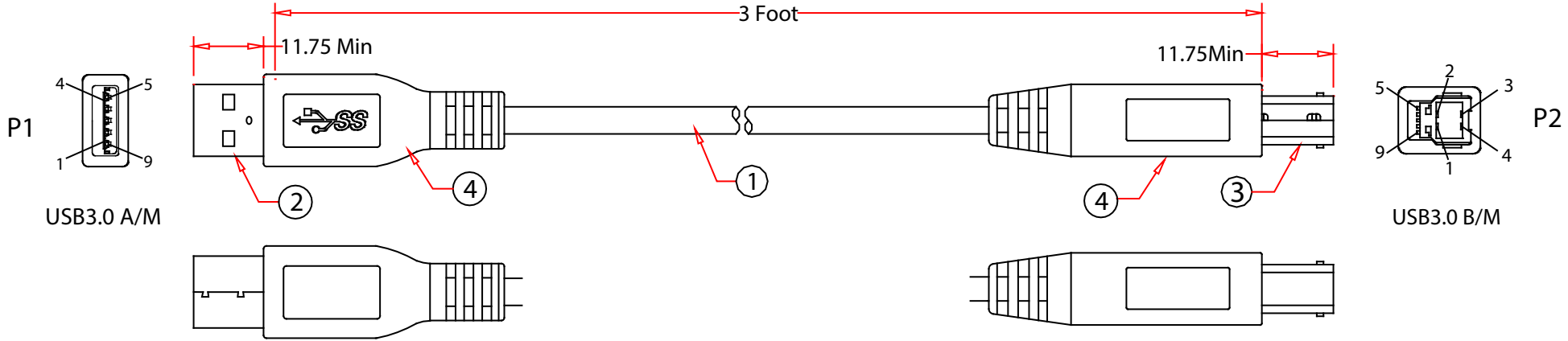
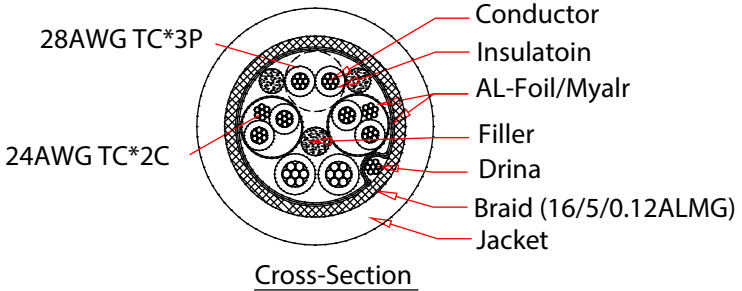


Rev.	Description	Date
A		06-2019



Pin Assignment		
P1		P2
1	Red	1
2	Green	2
3	White	3
4	Black	4
5	Blue(Yellow)	5
6	White(Blue)	6
7	Drain	7
8	Red(Orange)	8
9	White(Purple)	9
Shell	Braid+Drain	Shell



RoHS

- NOTES:
- 1.Electrical Test:
    - (1)100% Open Short & Miswire Test.
    - (2) Contact Resistance: 2 Ω Max.
    - (3) Insulation Resistance: 10 MΩ Min.
    - (4) Hi-Pot: 300V DC/10ms

4	Black Molded PVC	Item Number:	10U3-02203BK
3	USB3.0 Type B Male, Pin Gold Plated, Shell Nickel Plated, Insulation Blue	Title:	USB 3.0 Printer / Device Cable, Black, Type A Male to Type B Male, 3 foot
2	USB3.0 Type A Male, Pin Gold Plated, Shell Nickel Plated, Insulation Blue	Drawn by:	JL
1	USB3.0,UL2725[28AWG(7/0.127TC)*1P+D(7/0.12TC)+AL+MY]*2C+28AWG(7/0.27TC)*1P+24AWG(7/0.20TC)*2C+AL+MY+D+B(16/5/0.12ALMG),OD: 5.5±0.2mm, Black PVC Jacket	Approved by:	MAC
No.	Specifications	ID:	1

