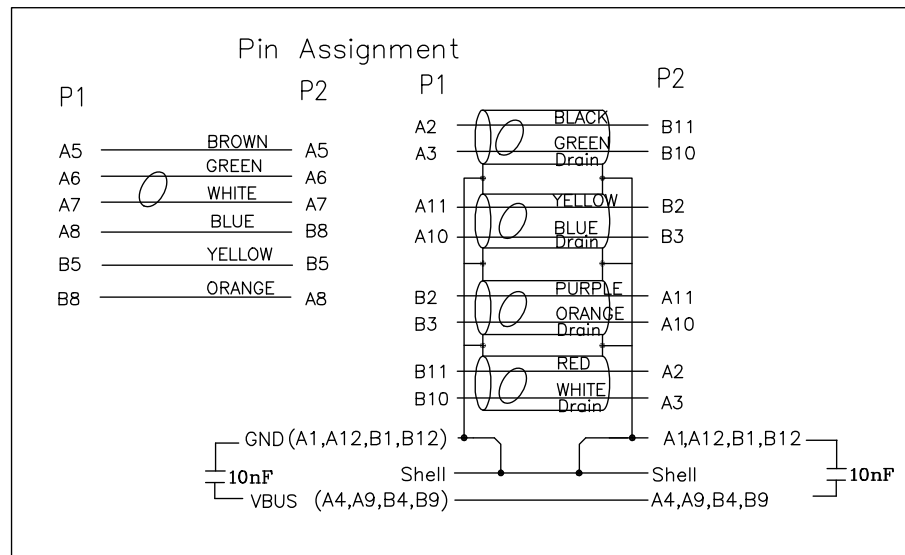
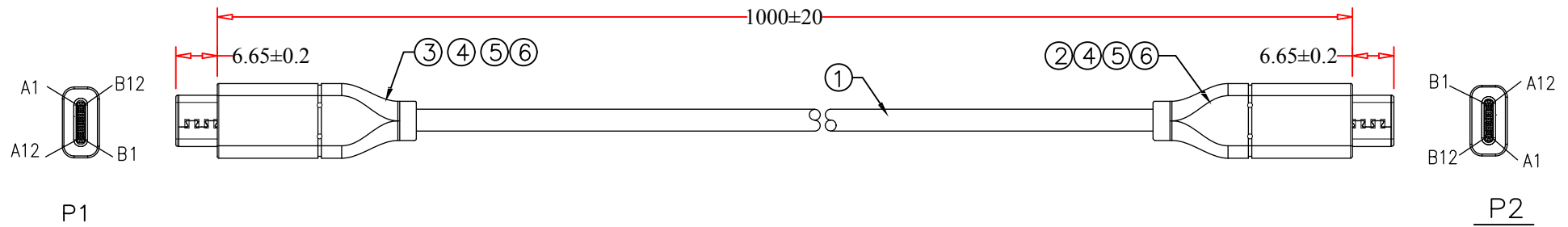


REV.	DESCRIPTION	DATE
A		02-2018



RoHS

Electrical Test:

1. 100%Test(Open ,short ,miss wire)
2. Contact Resistance: 2 ohm max.
3. Insulation Resistance: 10M ohm Min.
4. Hi-Pot: 300VDC/10ms.

6	USB C Type, Under The Tinplate Plating Nickel	ITEM NUMBER	10U3-31101		DRAWER	JL
5	USB C Type, On The Tinplate Plating Nickel	TITLE	USB3.1 Type C Male to Type C Male, 10Gb,1 Meter(3.28ft)		CHECKED	
4	Molded PVC Black	MATERIAL	SCALE		APPROVED	
3	USB3.1 A Type Male ,Black Insulation, Nickel Plated Shell, With PCBA	REV.	A	UNIT	MM	
2	USB3.1 C Type Male ,Black Insulation, Nickel Plated Shell, With Emark IC PCBA	DRAWING NO:				
1	USB 3.1[32AWG(7/0.08TC)+EAM]*4P+32AWG(7/0.08TC)*1P+32AWG(7/0.08TC)*4C +24AWG(41/0.08TC)+EAB(16/10/0.08TC 85% Coverage), OD: 4.5±0.2mm, Black PVC Jacket	ID(NO.)	1		 888-212-8295.com CableWholesale.com	
NO.	SPECIFICATIONS					
BOM LIST						