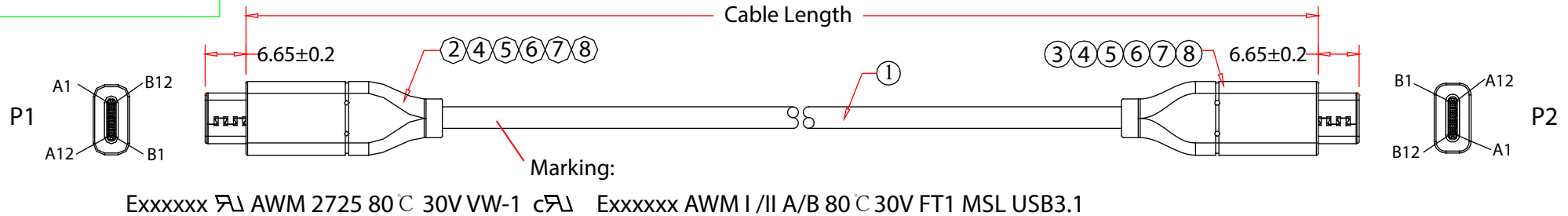
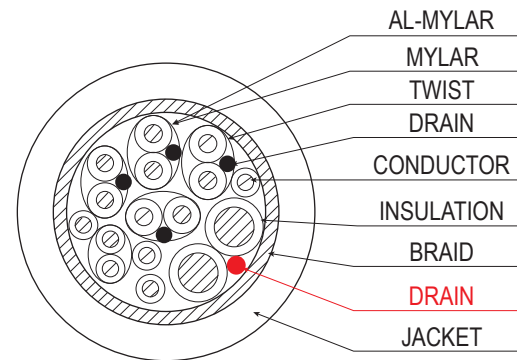
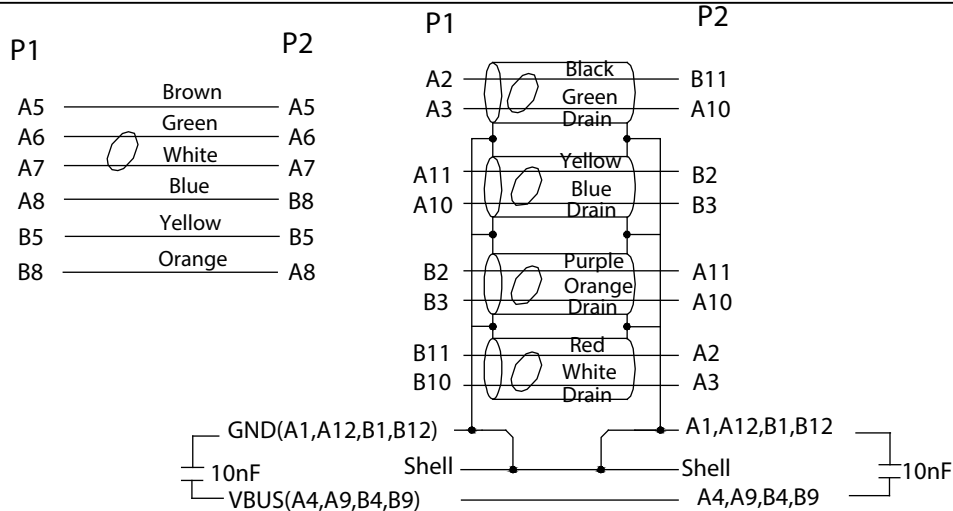


RoHS

Rev.	Description	Date
B		11-2023



Pin Assignment



Electrical Test:

- 100% Test (Open, Short, Miss Wire)
- Contact Resistance: 2 ohm Max.
- Insulation Resistance: 10M ohm Min
- Hi-Pot: 300VDC/10ms.

PART NO.	CABLE LENGTH
10U3-31100.5	0.5 Meter(1.64ft)
10U3-31101	1 Meter(3.28ft)
10U3-31102	2 Meter(6.56ft)

8	USB Type C~Under The Tinplate Plating Nickel
7	USB Type C~On The Tinplate Plating Nickel
6	Molded PVC Black
5	PA 40~48D UL94V-0, Color: Black
4	H.S Tube Φ2.0 ,Color: Black, 12mm*12PCS
3	USB3.1 C Type Male ,Black Insulation, Nickel Plated Shell, With PCBA
2	USB3.1 C Type Male ,Black Insulation, Nickel Plated Shell, With Emark IC PCBA
1	USB 3.1[32AWG(7/0.08TC)+EAM]*4P+32AWG(7/0.08TC)*1P+32AWG(7/0.08TC)*4C +24AWG(41/0.08TC)+EAB(16/10/0.08TC 85%), OD: 4.5±0.2mm, Black PVC Jacket
No.	Specifications

Item Number:	10U3-311xx	
Title:	USB-C Cable, USB 3.1 Type C Male to Type C Male - 10Gbit	
Drawn by:	JL	
Approved by:	MAC	
ID:	1	