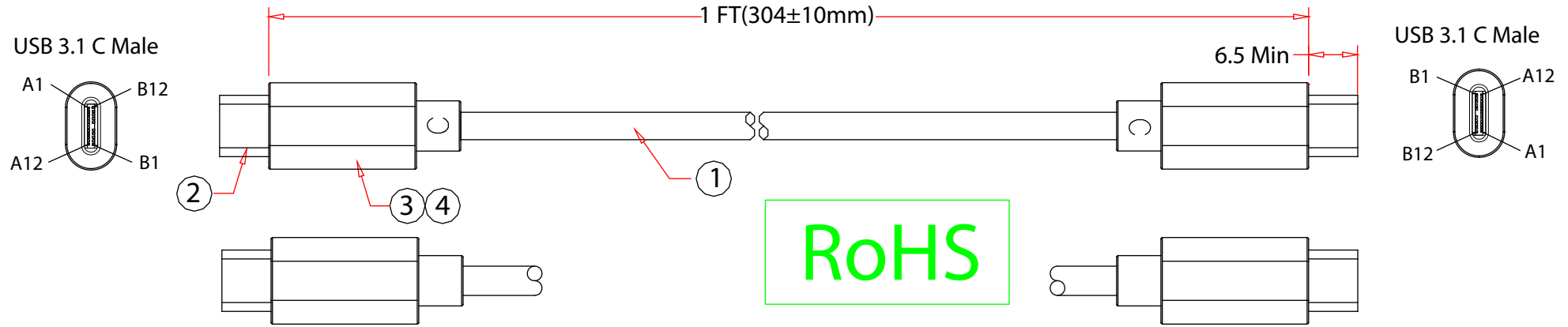
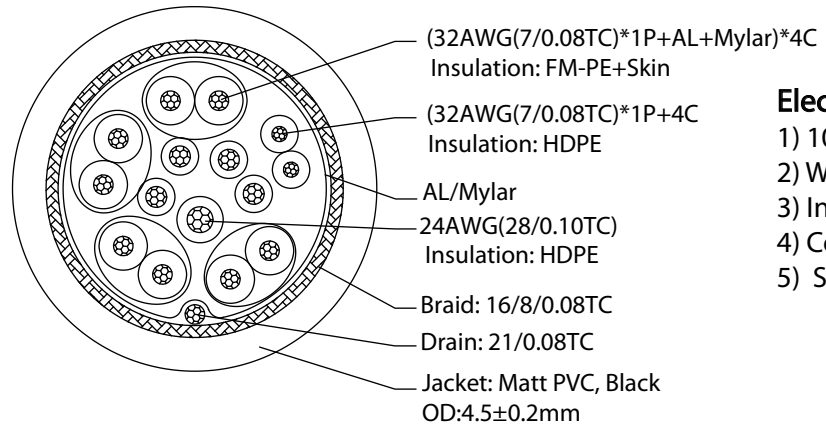


Rev.	Description	Date
A		04-2022

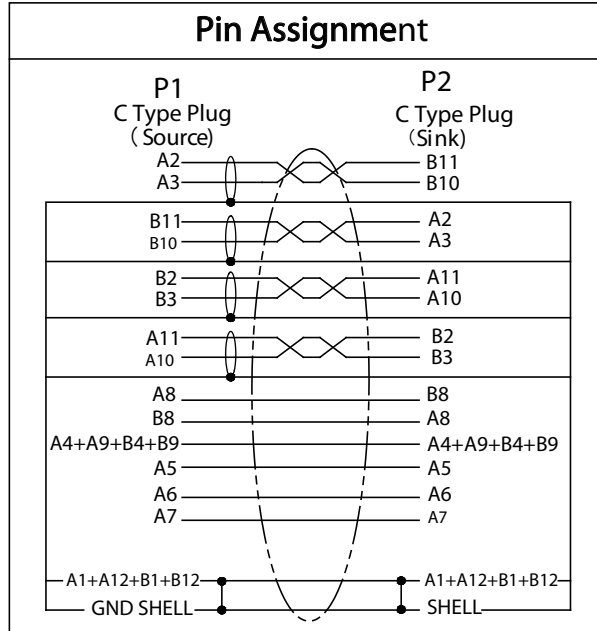


**Wire Details**



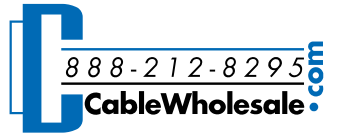
**Electrical Character:**

- 1) 100% Open/Short/Intermittent testing
- 2) Withstanding Voltage: AC/DC 300V at 10ms
- 3) Insulation Resistance: 5M Ohm( min)
- 4) Conductive Resistance: 2 Ohm( max)
- 5) Support 10Gbps



PART NO.	CABLE LENGTH
10U3-32201	1 FT
10U3-32203	3 FT
10U3-32206	6 FT

4	Outer Molding 45P PVC Black, UL94V-0
3	Inner Molding LD-PE
2	USB C Type Plug G/F Plated, Insulator-Black, Shell Nickel Plated
1	(30#TC*1P+AL+Mylar)*4C+32#TC*1P+32#TC*4C+24#TC*1C+A+D+B, PVC Black OD:4.5mm
No.	Specifications

Item Number:	10U3-322xx	
Title:	USB-C Cable, USB 3.2 Gen 2x1 Type C Male to Type C Male - 10Gbit	
Drawn by:	JL	
Approved by:	MAC	
ID:	1	