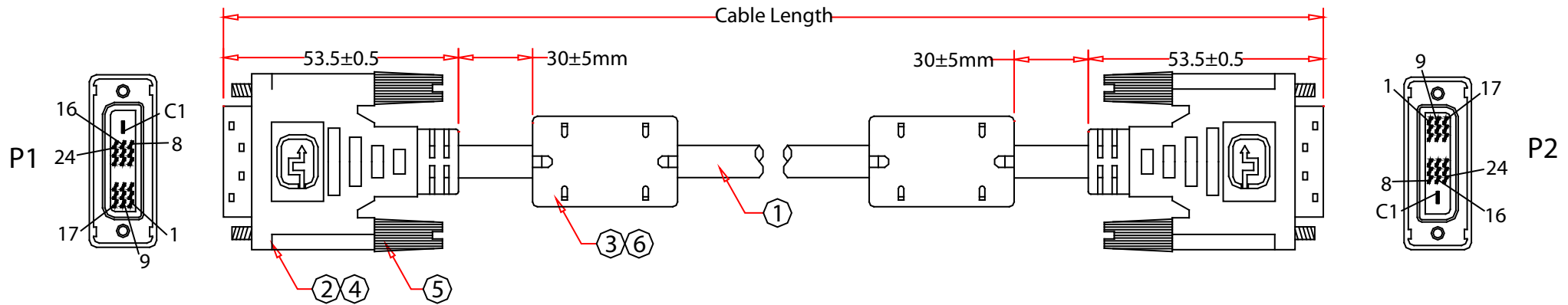
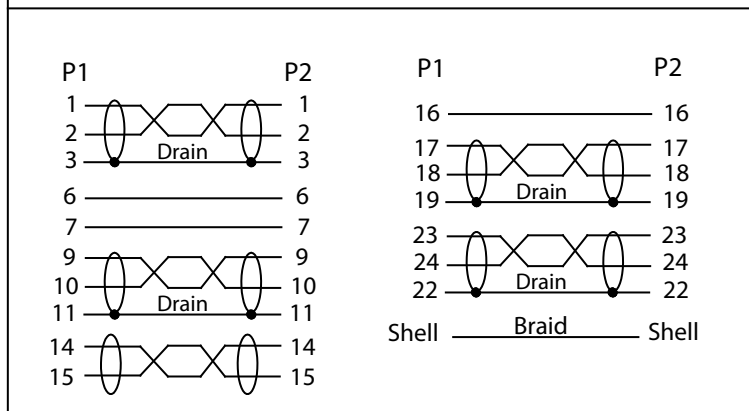


Rev.	Description	Date
A		10-2019



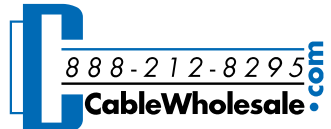
Pin Assignment



RoHS

PART NO.	CABLE LENGTH
10V1-05302BK-F	2 Meter
10V1-05303BK-F	3 Meter
10V1-05305BK-F	5 Meter

No.	Specifications
6	Ferrite Core,17.5*8.4*28.5mm
5	#4-40 L:44.25mm Molded Thumbscrew, Black Color
4	DVI Male, Assmby Black PVC Boot
3	Molded PVC Hood, Black Color
2	DVI (18+1)Pin Male,Gold Flash On Contacts & Gold Connector, Insulation Black
1	UL20276 [(28AWG 1 Pari+Drain+FAM)*4 Pcs+(28AWG 1Pair)+(28AWG 3C)+MA+AMA Braid Shield,OD:7.3mm,Black PVC Jacket

Item Number:	10V1-053xxBK-F	
Title:	DVI-D / DVI-D Single Link Cable with Ferrite	
Drawn by:	JL	
Approved by:	MAC	
ID:	1	