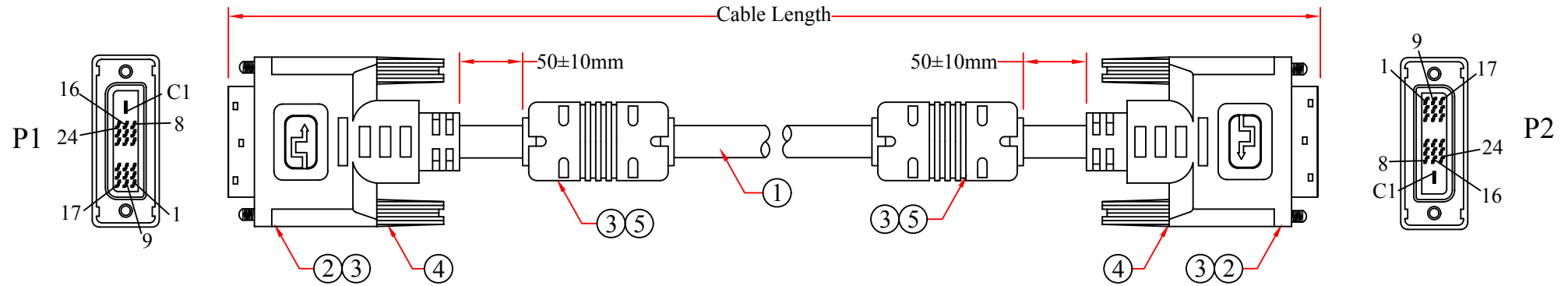


REV.	DESCRIPTION	DATE
A		12-2018



Pin Assignment			
P1	P2	P1	P2
1	1	16	16
2	2	17	17
3	3	18	18
6	6	19	19
7	7	23	23
9	9	24	24
10	10	22	22
11	11	Shell	Shell
14	14	Braid	Braid
15	15		

RoHS

PART NO.	CABLE LENGTH
10V1-05301BK-F	1 Meter
10V1-05302BK-F	2 Meter
10V1-05303BK-F	3 Meter
10V1-05305BK-F	5 Meter

5	Ferrite Core	ITEM NUMBER	10V1-053xxBK-F		DRAWER	JL
4	#4-40 Molded Thumbscrew, Black Color	TITLE	DVI-D / DVI-D Single Link Cable with Ferrite		CHECKED	
3	Molded PVC Hood, Black Color	MATERIAL		SCALE	APPROVED	
2	DVI (18+1)Pin Male, Insulation Black,Gold Plated	REV.	A	UNIT		
1	DVI Cable 30AWG BC,[(1/0.23BC*1P+D1/0.23BC+AL/MY)*5Pcs+1/0.23BC*4C]+AL +D1/0.23BC+64/0.12AM, OD:6.0±0.15mm, Black PVC Jacket	DRAWING NO:				
NO.	SPECIFICATIONS	ID(NO.)	223			
	BOM LIST					