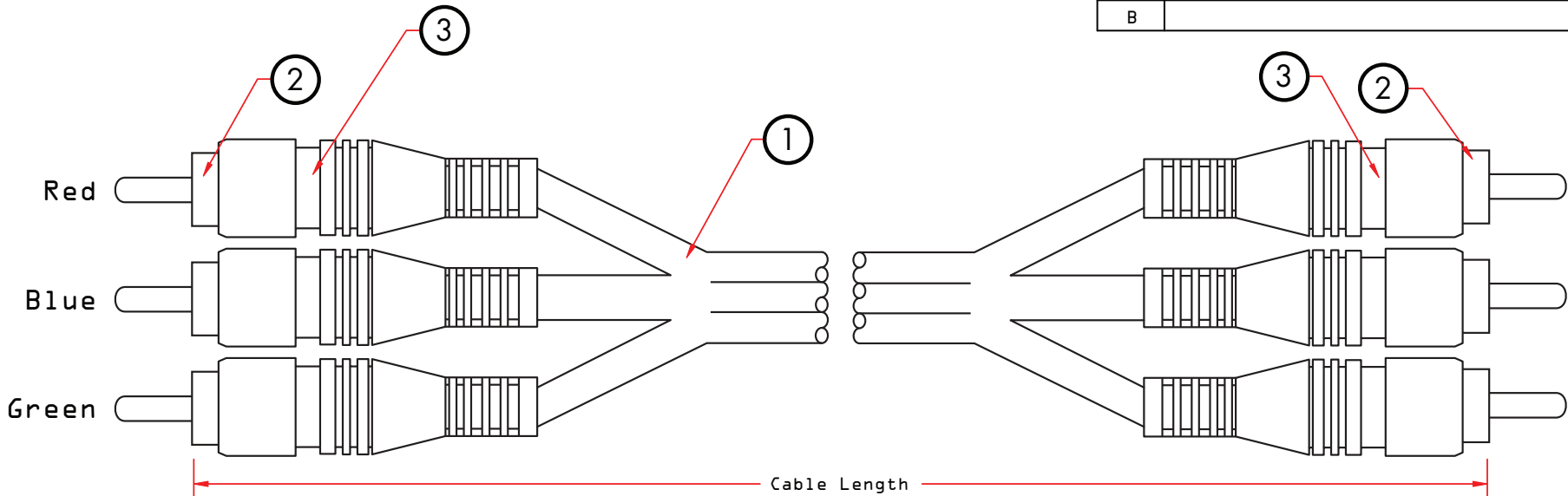
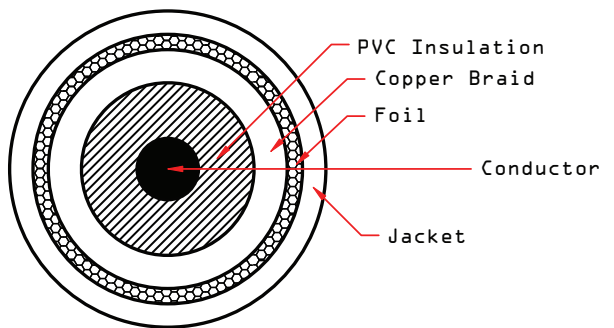


REV.	DESCRIPTION	DATE
A		
B		02-2006



RG59 75 Ohm Coaxial Cable
 AWG22 0.65mm Solid Copper Center Conductor
 0.025mm Aluminum Foil Shield
 112 x 0.16mm Bare Copper Braided Shield (95% coverage)
 3.7mm OD LDPE Dielectric
 6.00mm OD Rubberized-Flex PVC Jacket



PART NO.	CABLE LENGTH
10V2-02506	6 ft
10V2-02512	12 ft
10V2-02525	25 ft
10V2-02550	50 ft

ITEM NUMBER	10V2-025xx	DRAWER	MPD
TITLE	3 x RCA Male to 3 x RCA Male, (Red, Green, Blue) Component Video	CHECKED	MAC
MATERIAL		APPROVED	MAC
REV.	A	SCALE	INCH
		UNIT	

3	Molded PVC Hood
2	RCA Male Nickel Plated
1	AWG22 0.65mm Solid Copper Center Conductor, Copper Spiral Shield, Rubberized-Flex PVC Jacket
NO.	SPECIFICATIONS

BOM LIST

