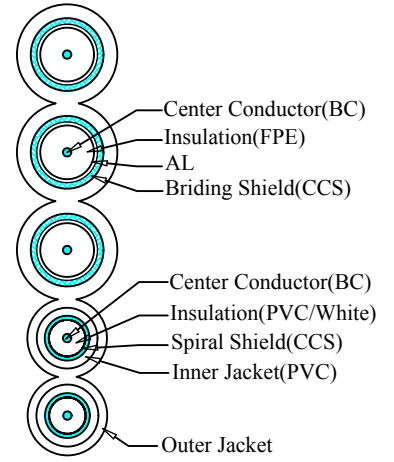
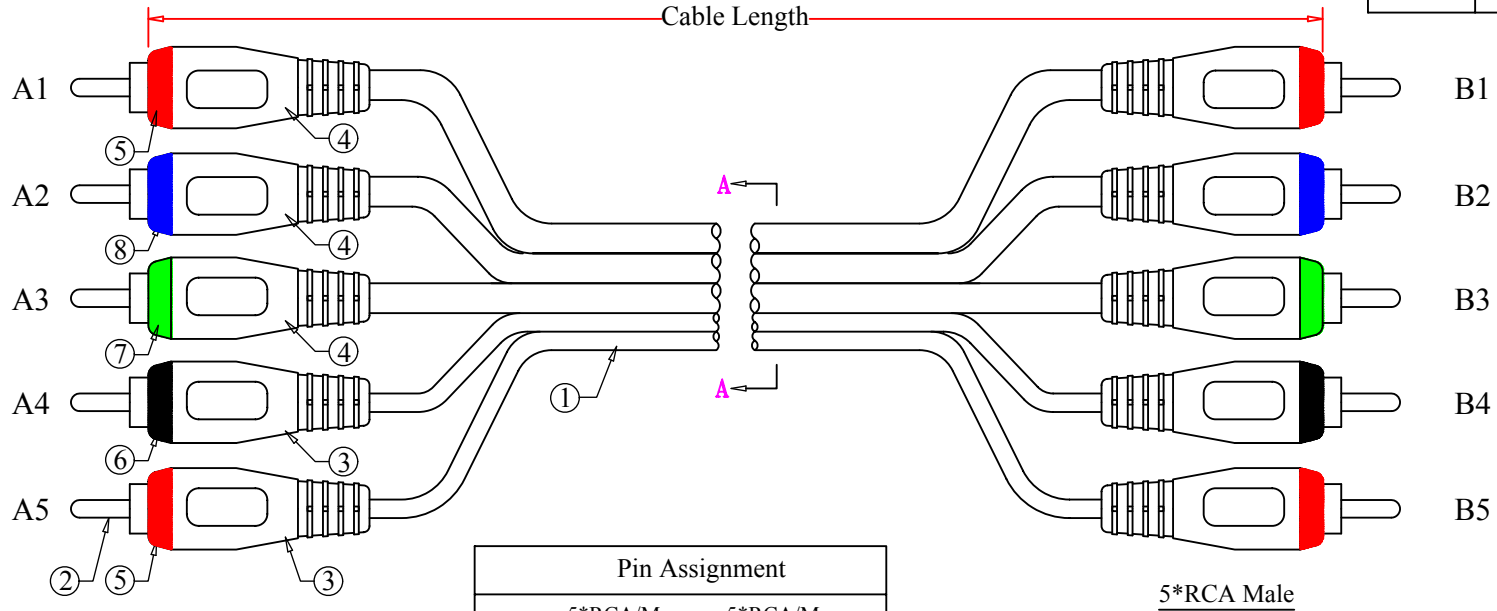


REV.	DESCRIPTION	DATE
A		12-2017



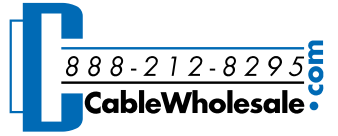
Pin Assignment			
	5*RCA/M	5*RCA/M	
A1	Conductor	Conductor	B1
	Braiding	Braiding	
A2	Conductor	Conductor	B2
	Braiding	Braiding	
A3	Conductor	Conductor	B3
	Braiding	Braiding	
A4	Conductor	Conductor	B4
	Spiral	Spiral	
A5	Conductor	Conductor	B5
	Spiral	Spiral	

RoHS

PART NO.	CABLE LENGTH
10R2-73103	3 FT
10V2-03106	6 FT
10V2-03112	12 FT
10V2-03125	25 FT
10V2-03150	50 FT
10V2-031HD	100 FT

8	Molding 2, PVC / Blue
7	Molding 2, PVC / Green
6	Molding 2, PVC / White
5	Molding 2, PVC / Red
4	Molding 1 ,PVC / Ivory (Pantone Warm Grey 1C)
3	Molding 1 ,PVC / Dark Blue (Pantone 7546C)
2	RCA Male ,Brass + ABS,Gold Plated
1	Cable: 3F*(BC+FPE+AL+Braid CCS)+2F*(BC+PVC+Spiral CCS+Inner Jacket) Ivory (Pantone Warm Grey 1C) PVC Jacket
NO.	SPECIFICATIONS

ITEM NUMBER	10V2-031xx		DRAWER	JL
TITLE	High Quality Component Video and Audio Cable, 3 RCA(RGB) and 2 RCA(Right and Left) Male, Gold-Plated		CHECKED	
MATERIAL	SCALE		APPROVED	
REV.	A	UNIT	INCH	
DRAWING NO:				
ID(NO.)	18			



BOM LIST