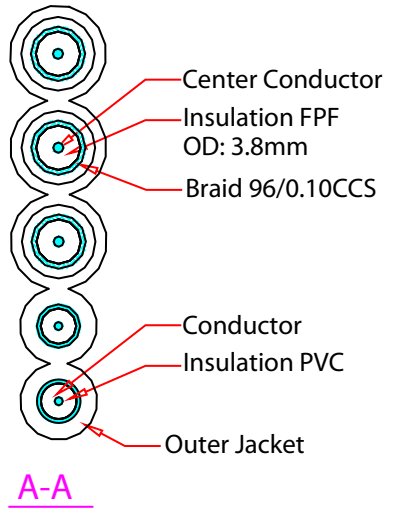
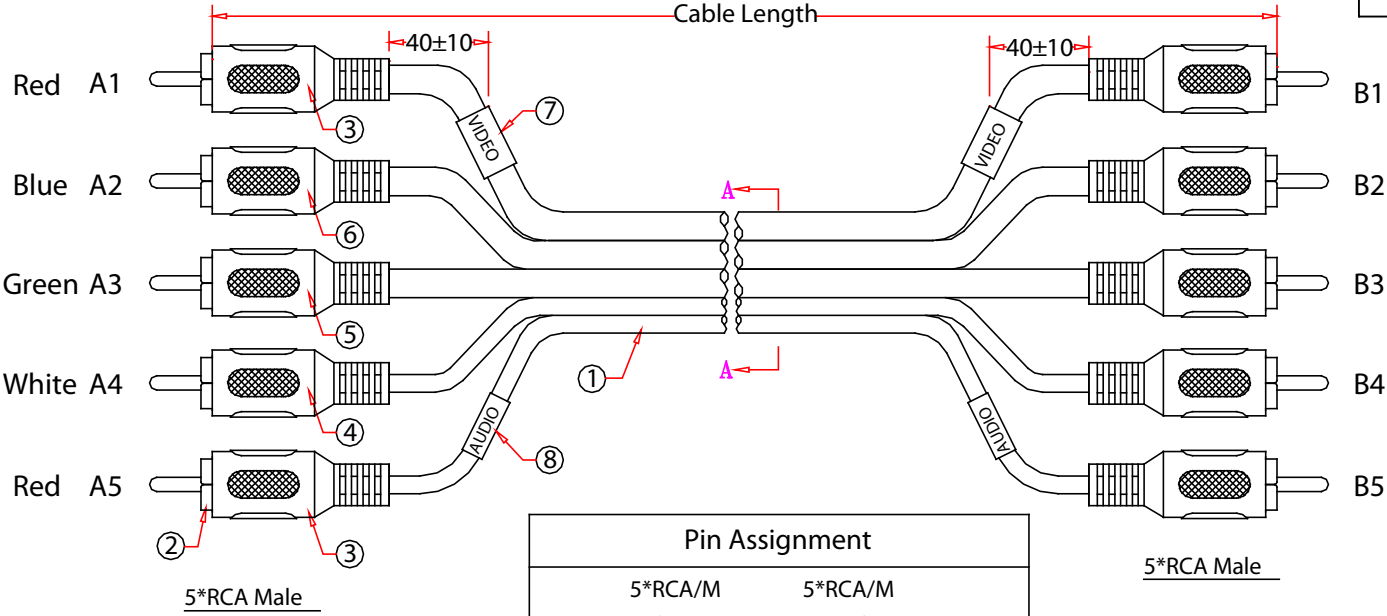


Rev.	Description	Date
A		03-2020

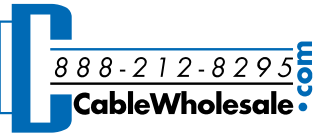


Pin Assignment			
5*RCA/M	5*RCA/M		
A1	Conductor	B1	Red
	Braiding		
A2	Conductor	B2	Blue
	Braiding		
A3	Conductor	B3	Green
	Braiding		
A4	Conductor	B4	White
	Spiral		
A5	Conductor	B5	Red
	Spiral		

RoHS

PART NO.	CABLE LENGTH
10V2-03206	6 FT
10V2-03212	12 FT
10V2-03225	25 FT

8	Red Hot Shrink Tube "AUDIO"
7	Red Hot Shrink Tube "VIDEO"
6	Blue Molded PVC
5	Green Molded PVC
4	White Molded PVC
3	Red Molded PVC
2	RCA Male, Gold Plated
1	Cable: 3F*(1/0.64CCS+3.8FPE+AL+B96/0.10CCS)+2F*(10/0.10CCS+PVC+Spiral 32/0.10CCS), OD=0.6.0*3+3.4*2, Black PVC Jacket
No.	Specifications

Item Number:	10V2-032xx	
Title:	High Quality Component Video and Audio Cable, 3 RCA(RGB) and 2 RCA(Right and Left) Male,Gold-Plated	
Drawn by:	JL	
Approved by:	MAC	
ID:	1	