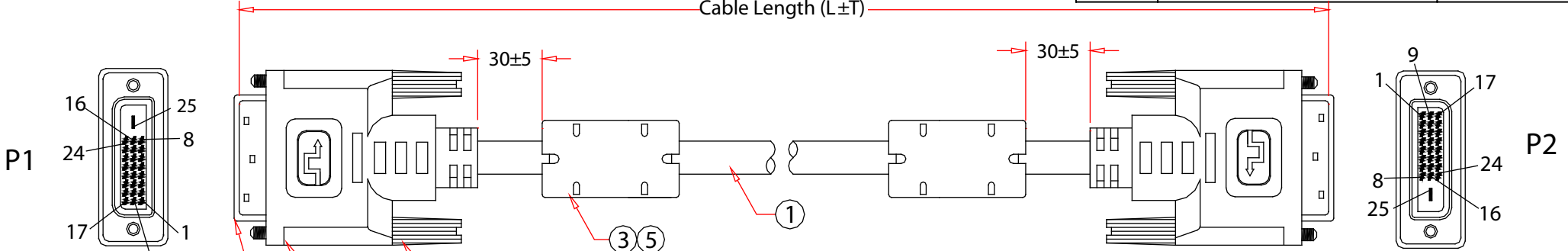


Rev.	Description	Date
A		02-2024



Cable Marking:  
 Exxxxxx 兄 AWM 20276 80°C 30V VW-1 c兄 AWM  
 Exxxxxx I/II A 80°C 30V FT1 VW-1 MSL-NV- DVI CABLE

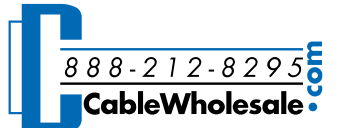
- Remark:
- 100% Test (Open ,Short, Miss Wire)
  - Contact Resistance: 6 ohms Max.
  - Insulation Resistance: 10M ohm Min.
  - Hi-Pot:DC 100V/10ms

Pin Assignment			
P1	P2	P1	P2
1	1 BLUE	14	14 ORANGE
2	2 WHITE	15	15 YELLOW
3	3 DRAIN	16	16 WHITE
4	4 BLUE	17	17 BLUE
5	5 WHITE	18	18 WHITE
6	6 RED	19	19 DRAIN
7	7 PURPLE	20	20 BLUE
9	9 BLUE	21	21 WHITE
10	10 WHITE	23	23 BLUE
11	11 DRAIN	24	24 WHITE
12	12 BLUE	22	22 DRAIN
13	13 WHITE		
		Shell	Braid
			Drain

RoHS

PART NO.	CABLE LENGTH (L±T)
10V2-05301BK-F	1000±20mm
10V2-05302BK-F	2000±30mm
10V2-05303BK-F	3000±40mm
10V2-05305BK-F	5000±50mm

6	Dust Cover, Transparent
5	Ferrite Core Size: 28.5*17.5*9.5mm
4	#4-40 L:44.25mm, Nickel Plated, Molded Thumbscrew Black Color
3	Molded PVC Hood, Black Color
2	DVI (24+1)Pin Male, Gold Flash on Contacts& Cold Metal Hood, Insulation Black, with Tinplate
1	UL20276 [28AWG*1P+D+AL/MY]*4+(28AWG*1P+AL/MY)*3+(28AWG*1PAIR)+(28AWG*3C)] +D+AMA BRAID,OD:8.6mm, Black PVC Jacket
No.	Specifications

Item Number:	10V2-053xxBK-F	
Title:	DVI-D Dual Link Cable, DVI-D Male, with Ferrite, Black	
Drawn by:	JL	
Approved by:	MAC	
ID:	1	