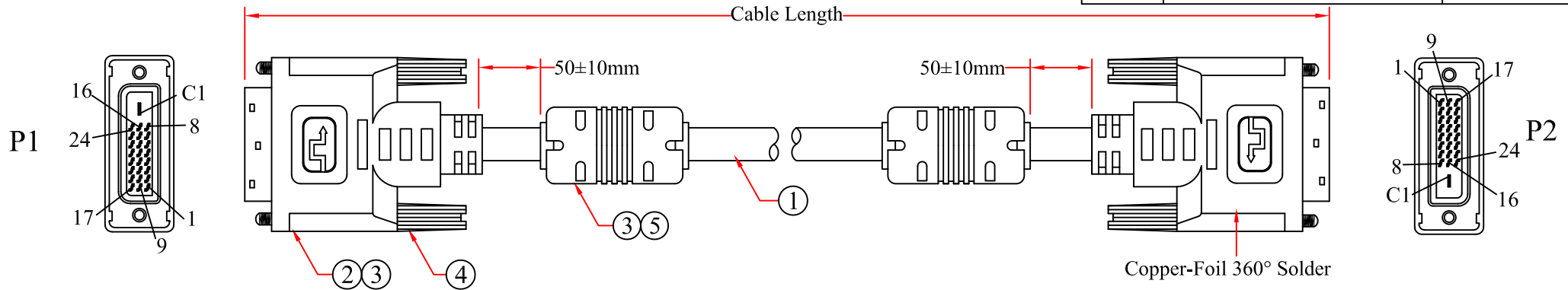
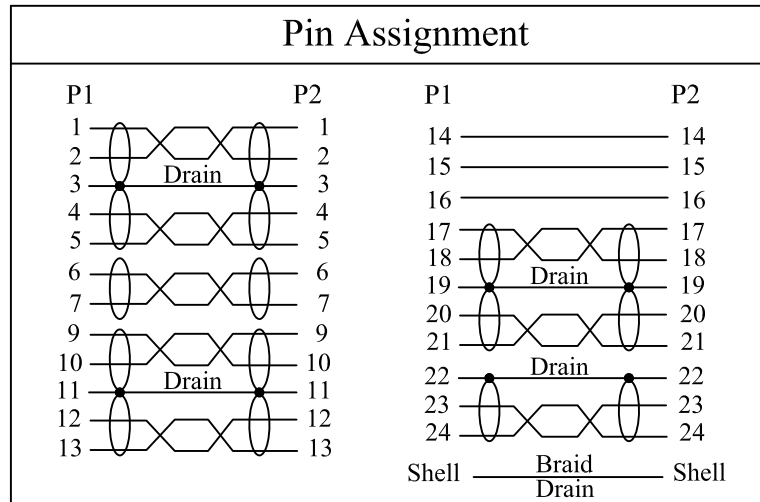
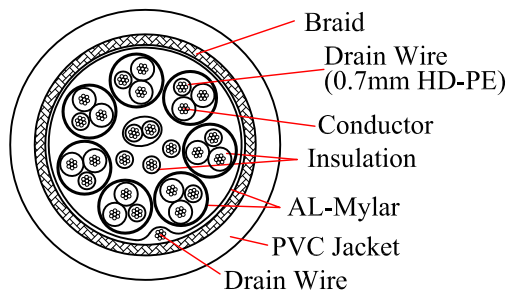


| REV. | DESCRIPTION | DATE |
|------|-------------|---------|
| B | | 12-2018 |
| | | |

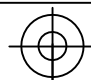
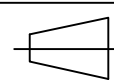
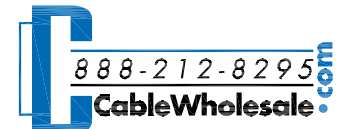


Cable Specifications

28AWG 7/0.127mm Stranded Tinned Copper
 AL-Mylar Foil Shield
 Tinned Copper Braid 16/10/0.12mm,85% Coverage
 1.0mm Foam PE(1P*7) and 0.7mm HD-PE(1P+3C) Insulation
 OD:7.3mm PVC Jacket



| PART NO. | CABLE LENGTH |
|----------------|--------------|
| 10V2-05301BK-F | 1 Meter |
| 10V2-05302BK-F | 2 Meter |
| 10V2-05303BK-F | 3 Meter |
| 10V2-05305BK-F | 5 Meter |

| | | | | | | |
|----------|---|-------------|--|-------|---|---|
| 5 | Ferrite Core | ITEM NUMBER | 10V2-053xxBK-F | | DRAWER | JL |
| 4 | #4-40 Molded Thumbscrew, Black Color | TITLE | DVI-D Dual Link Cable, DVI-D Male with Ferrite | | CHECKED | |
| 3 | Molded PVC Hood, Black Color | MATERIAL | | SCALE | APPROVED | |
| 2 | DVI (24+1)Pin Male, Insulation Black,Iron Shell Gold Plated | REV. | B | UNIT | INCH |   |
| 1 | DVI Cable 30AWG BC,[(1/0.23BC*1P+D1/0.23BC+AL/MY)*7Pcs+1/0.23BC*5C]+AL+D1/0.23BC+64/0.12AM, OD:6.5±0.15mm, Black PVC Jacket | DRAWING NO: | | |  | |
| NO. | SPECIFICATIONS | ID(NO.) | 223 | | | |
| BOM LIST | | | | | | |