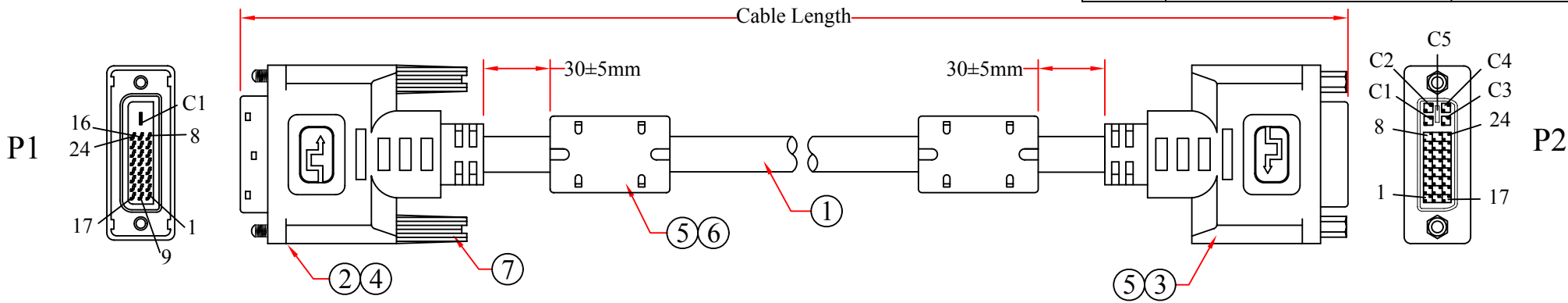


REV.	DESCRIPTION	DATE
A		01-2014
B		10-2015



Pin Assignment			
P1	P2	P1	P2
1	1	14	14
2	2	15	15
3	3	16	16
4	4	17	17
5	5	18	18
6	6	19	19
7	7	20	20
9	9	21	21
10	10	22	22
11	11	23	23
12	12	24	24
13	13	Shell	Shell
		Braid	Braid

RoHS

PART NO.	CABLE LENGTH
10V2-07202BK	2 Meter
10V2-07203BK	3 Meter
10V2-07205BK	5 Meter

7	Ferrite Core,17.5*28.5*9.5mm
6	#4-40 Molded Thumbscrew,Length 44.25mm, Black Color
5	Molded PVC Hood, Black Color
4	DVI Assembly PVC Boot, Black Color
3	DVI (24+5)Pin Female,Hex-Nut (47.5*5.5mm) Gold Flash on Gontacts &Golded Metal Hood, Insulation White
2	DVI (24+1)Pin Male,Gold Flash on Contacts & Golded Metal Hood, Insulation Black
1	UL20276 [(28AWG 1 Pari+Drain+AL+Mylar)*7 Pcs+(28AWG 1Pair)+(28AWG 3C)+AL+Braid Shield,OD:8.6mm,Black PVC Jacket,CL2
NO.	SPECIFICATIONS
	BOM LIST

ITEM NUMBER	10V2-072xxBK			DRAWER	JL
TITLE	DVI-D Dual Link Extension Cable, Black, DVI-D Male to DVI-D Female			CHECKED	
MATERIAL		SCALE		APPROVED	
REV.	A	UNIT	INCH		
DRAWING NO:				 888-212-8295.com	