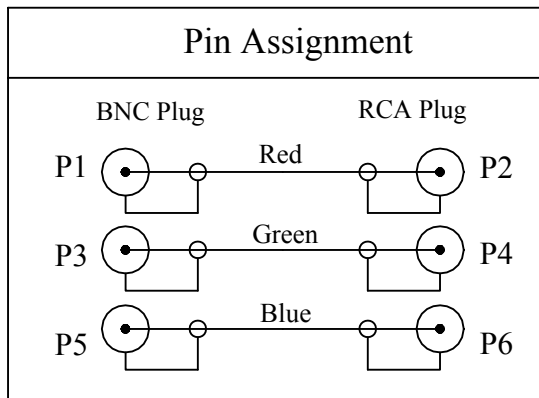
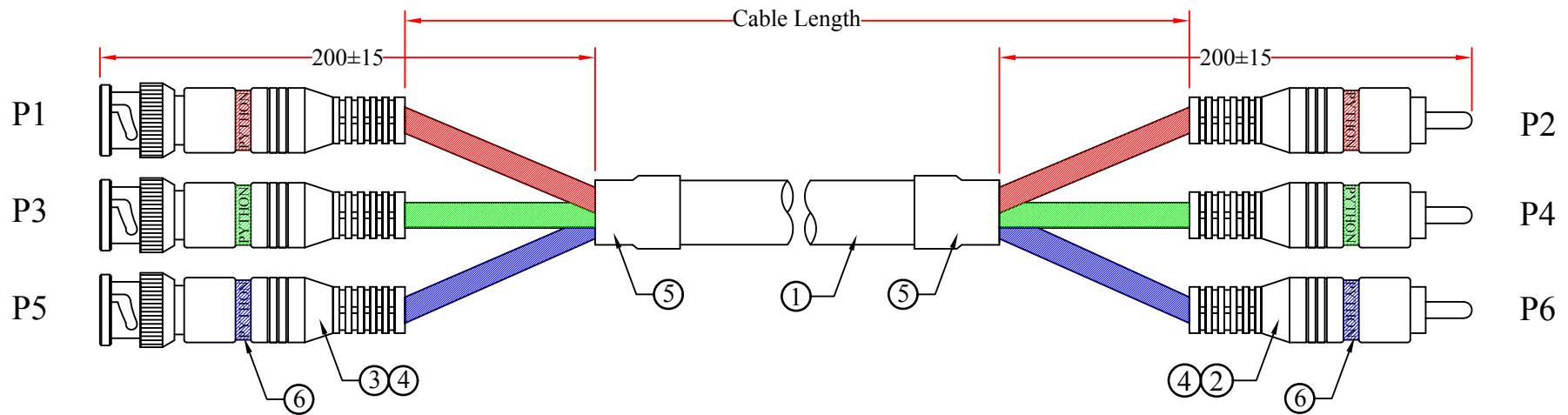


REV.	DESCRIPTION	DATE
A		04-2013



RoHS

**NOTES:**

- 1. Electrical Test:
- (1) 100% Open Short & Miswire Test.
- (2) Insulation Resistance 5 MΩ Min.

6	Label :PYTHON	ITEM NUMBER	10V2-25206		DRAWER	JL
5	Hot Shrink Tube ,Ivory PVC	TITLE	High Quality Component Conversion Video Cable 3 RCA Male to 3 BNC Male,6 foot		CHECKED	
4	Ivory Molded PVC	MATERIAL		SCALE	APPROVED	
3	BNC Male, Brass, Shell Gold Plated	REV.	A	UNIT		
2	RCA Male, Brass+ABS, Shell Gold Plated	DRAWING NO:		INCH		
1	3Coaxia *[24AWG(1/0.51mm) Copper+FPE ID 2.5mm+AL/Foil+Braid 16/8/0.10CCS], 95% Coverage Inner Jacket OD:4.8mm, Color:Red / Green / Blue, OD: 12.5mm, Ivory PVC Outer Jacket					
NO.	SPECIFICATIONS					
BOM LIST						