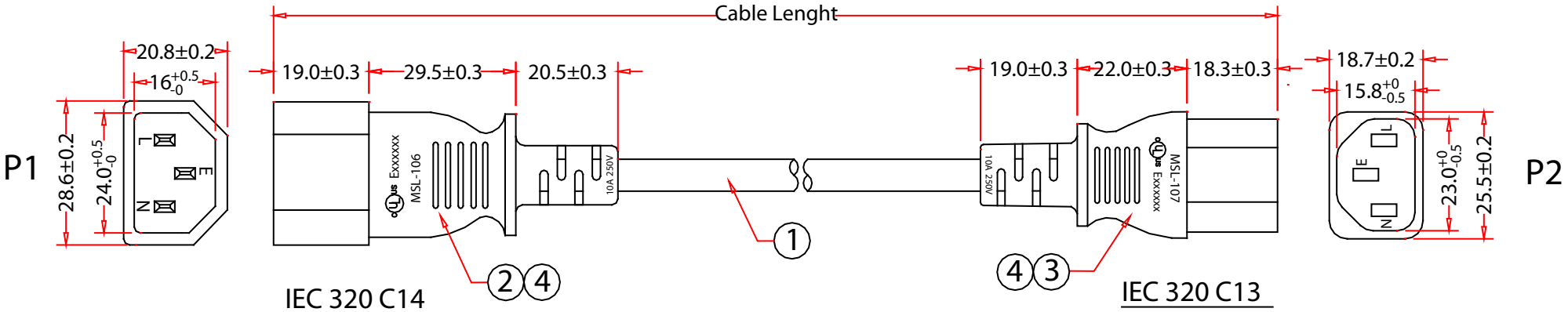


Rev.	Description	Date
A		10-2022

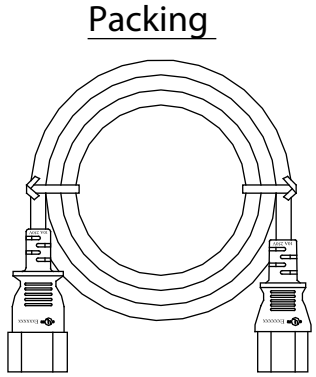


RoHS

Cable Marking:

(UL) SJT 3/C 18AWG(0.824MM²) VW-1 105°C 300V Exxxxxx
 C(UL) SJT 3/C 0.824MM² (18AWG) FT2 105°C 300V xxxxxx MSL

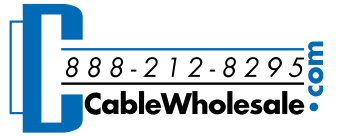
Pin Assignment		
P1		P2
L	Black	L
N	White	N
E	Green	E



Color Options
BL - Blue
RD - Red
GN - Green
YL - Yellow
WH - White

PART NO.	CABLE LENGTH
10W1-02202XX	2 FT
10W1-02203XX	3 FT
10W1-02204XX	4 FT
10W1-02206XX	6 FT
10W1-02208XX	8 FT
10W1-02210XX	10 FT

4	Black Molded PVC Hood
3	UL/CSA Approved IEC 320 C13, 10A/125V, Black
2	UL/CSA Approved IEC 320 C14, 10A/125V, Black
1	UL Approved SJT 18AWG(0.824mm ²)*3C 105°C/300V, OD:7.8±0.2mm, Black
No.	Specifications

Item Number:	10W1-022xxXX	
Title:	Computer / Monitor Power Extension Cord, C13 to C14, 10 Amp	
Drawn by:	JL	
Approved by:	MAC	
ID:	1	