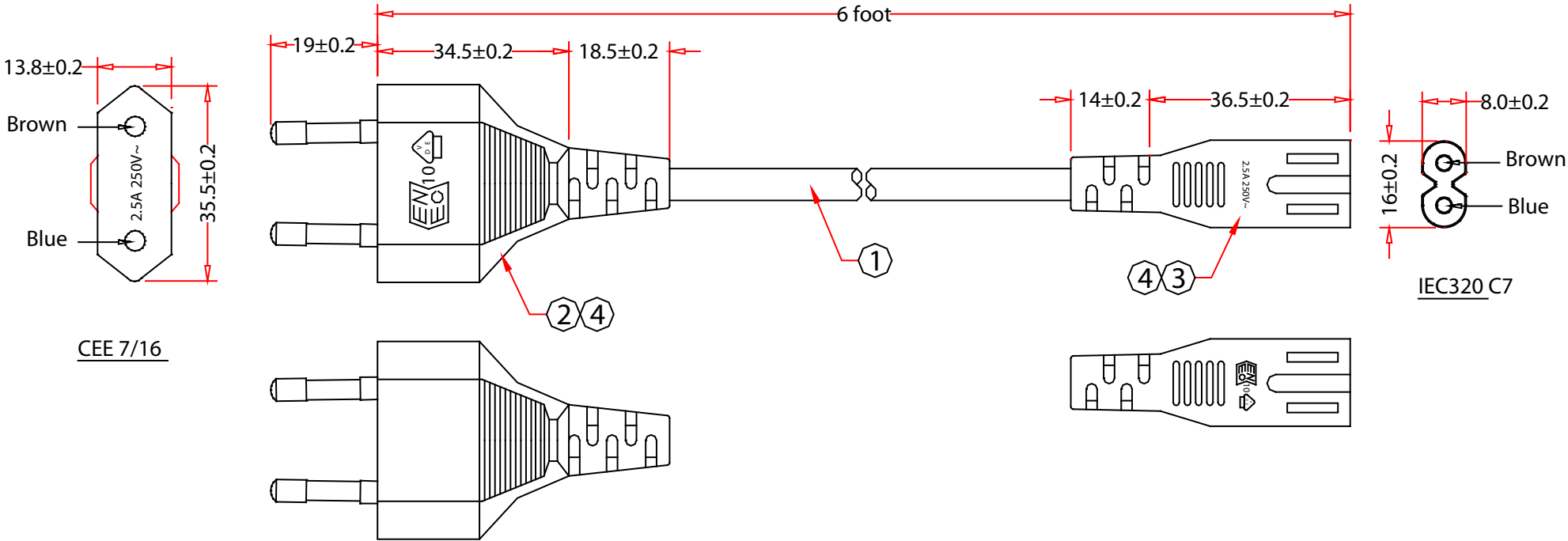


Rev.	Description	Date
A		11-2019

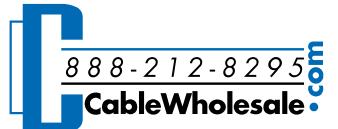


CEE 7/16

IEC320 C7

Pin Assignment	
CEE 7/16	IEC320 C7
Brown _____	Brown
Blue _____	Blue

RoHS

		Item Number:	10W1-13306	
		Title:	European NoteBook Power Cord, Europlug or CEE 7/16 to C7, Non-Polarized, VDE Approved, 6 foot	
		Drawn by:	JL	
		Approved by:	MAC	
		ID:	1	
No.	Specifications			
4	Black Molded PVC Hood			
3	Europea / SAA Approved IEC320 C7, 2.5A/125V, Color: Black			
2	Europea Approved CEE 7/16, 2.5A/125V, Color: Black			
1	European Approved, H03VVH2-F 2*0.75mm ² , OD:3.5*5.7mm, Jacket PVC Black			