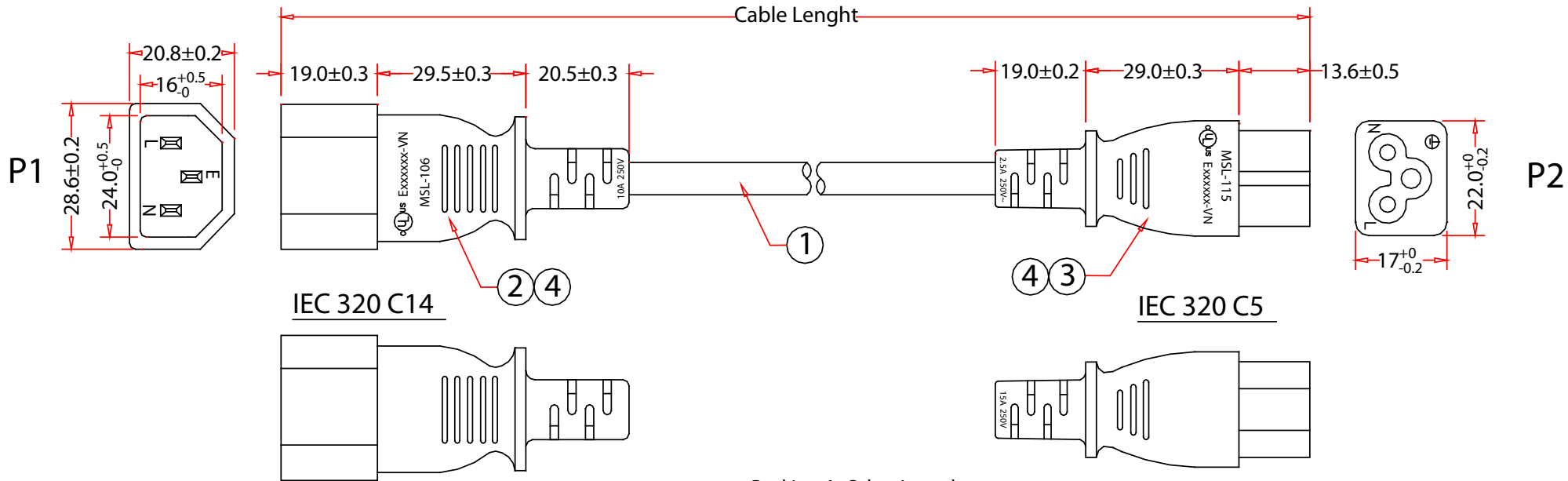
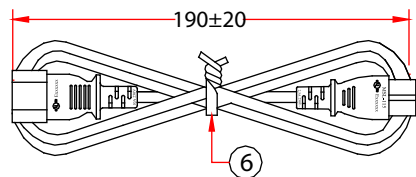


Rev.	Description	Date
A		01-2023

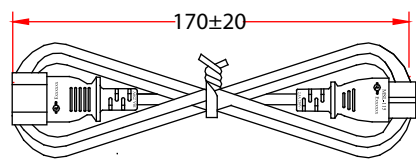


Cable Marking:
 (UL) SJT 3/C 18AWG(0.824MM²) VW-1 105°C 300V Exxxxxx
 C(UL) SJT 3/C 0.824MM² (18AWG) FT2 105°C 300V xxxxxx MSL-VN-

Packing A: Other Length



Packing B: =6FT

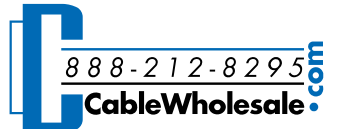


RoHS

Pin Assignment	
P1	P2
L — Black — L	
N — White — N	
E — Green — E	

PART NO.	CABLE LENGTH	
	L	±T
10W1-15503	3 FT	±20mm
10W1-15506	6 FT	±30mm

No.	Specifications
4	Black Molded PVC Hood
3	UL/CSA Approved IEC-60320-C5, 2.5A/250V, Color: Black
2	UL/CSA Approved IEC-60320-C14, 10A/250V, Color: Black
1	UL Approved SJT 18AWG(0.824MM ²)*3C 105°C/300V, OD:7.8mm, Black

Item Number:	10W1-155xx	
Title:	Notebook/Laptop Power Cord, C14 to C5, 18AWG, Black	
Drawn by:	JL	
Approved by:	MAC	
ID:	1	