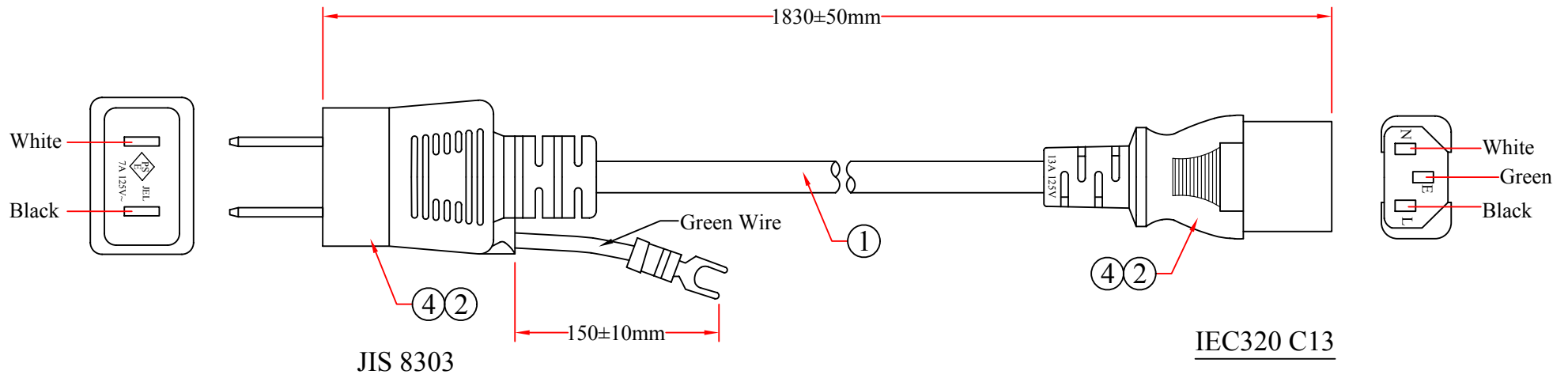


REV.	DESCRIPTION	DATE
A		02-2015



RoHS

NO.		SPECIFICATIONS	ITEM NUMBER	10W1-18206		DRAWER	JL
5	Y Type terminal	$\square \phi 4.3 \text{mm}$	TITLE	Japanese Computer/Monitor Power Cord, JIS C 8303 with Ground Wire to C13, PSE Approved, 6 foot		CHECKED	
4	Black Molded PVC Hood					APPROVED	
3	IEC320 C13, 7A/125V, Color: Black		MATERIAL	SCALE			
2	JIS 8303, 7A/125V, Color: Black		REV.	A	UNIT		MM
1	Cable: VCTF 3x*0.75mm ² Black		DRAWING NO:				
			ID(NO.)	1			
BOM LIST							