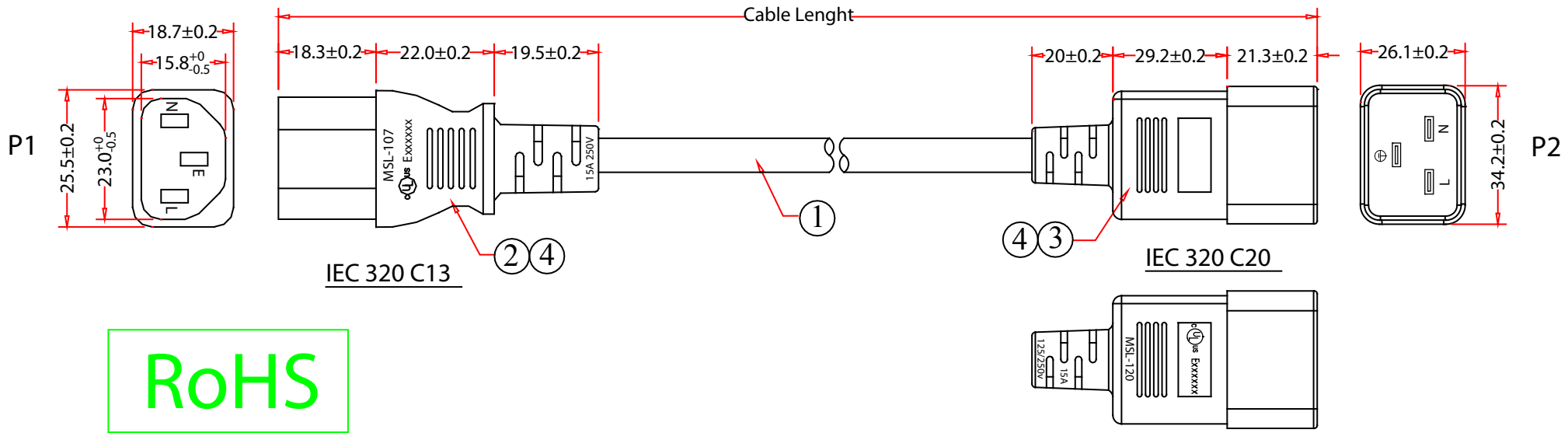


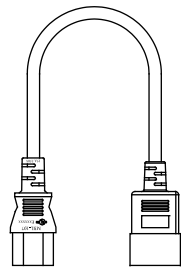
Rev.	Description	Date
A		12-2022



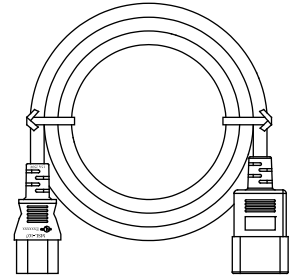
RoHS

Pin Assignment	
P1	P2
L — Black — L	
N — White — N	
E — Green — E	

Packing A: <2FT



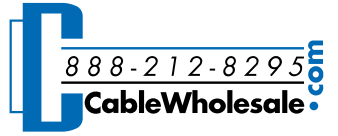
Packing B: >2FT



PART NO.	CABLE LENGTH	
	L	±T
10W2-04203xx	3 FT	±20mm
10W2-04204xx	4 FT	±25mm
10W2-04206xx	6 FT	±30mm
10W2-04210xx	10 FT	±40mm
10W2-04215xx	15 FT	±40mm

**MARKING:**

(UL) SJT 3/C 14AWG(2.08MM<sup>2</sup>) VW-1 105 °C 300V Exxxxxx  
 CSA SJT 3/C 2.08MM<sup>2</sup>(14AWG) FT2 105 °C 300V Exxxxxx MSL

Item Number:	10W2-042xx	
Title:	Server Power Extension Cord, Black, C20 to C13, 14AWG/3C, 15 Amp	
Drawn by:	JL	
Approved by:	MAC	
ID:	1	

No.	Specifications
4	Black Molded PVC Hood
3	UL/CSA Approved IEC-320-C20, 15 Amp, Color: Black
2	UL/CSA Approved IEC-320-C13, 15 Amp, Color: Black
1	UL Approved SJT 14AWG( 2.08MM <sup>2</sup> )*3C 105°C/300V, OD:9.3±0.3mm, Black