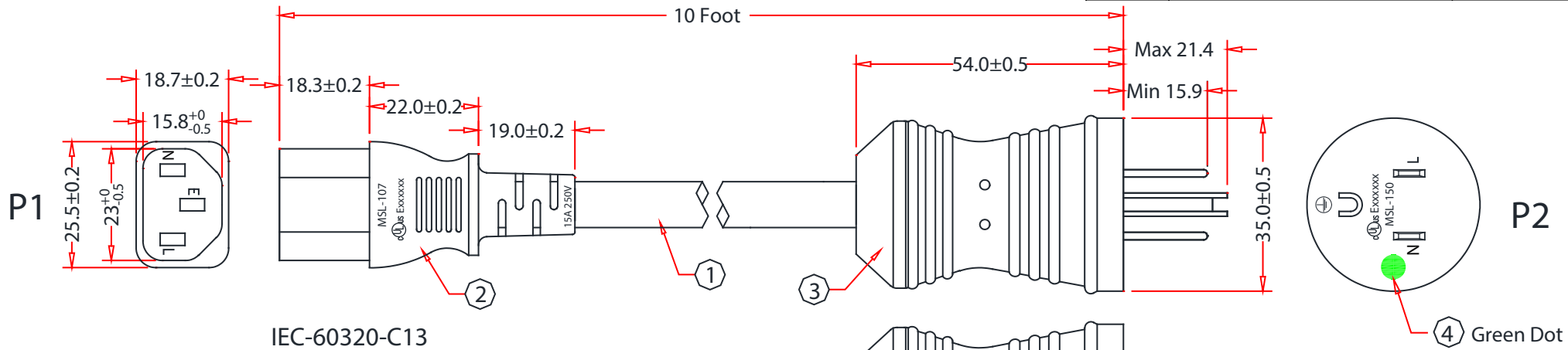
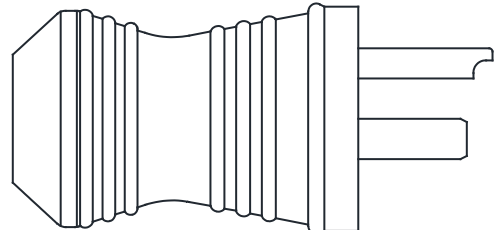


Rev.	Description	Date
A		10-2022

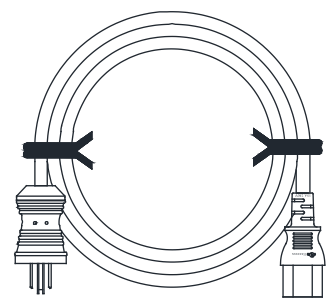


IEC-60320-C13



NEMA 5-15P Hospital

Packing:



RoHS

**CABLE MARKING:**

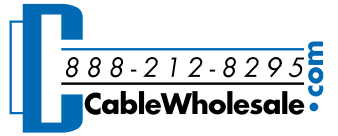
(UL) SJT 3/C 14AWG(2.08MM<sup>2</sup>) VW-1 105°C 300V Exxxxxx  
 CSA SJT 3/C 2.08MM<sup>2</sup>(14AWG) FT2 105°C 300V Exxxxxx MSL

NOTE: THE CABLE MARKING IS CONCAVE LETTERING MOULD

Pin Assignment	
IEC 60320 C13	NEMA 5-15P Hospital
L — Black — L	
N — White — N	
E — Green — E	

PART NO.	CABLE LENGTH
10W2-51503BK	3 Feet
10W2-51506BK	6 Feet
10W2-51510BK	10 Feet
10W2-51515BK	15 Feet
10W2-51525BK	25 Feet

4	Molded PVC 80P , Color Green
3	NEMA 5-15P, UL/CSA Approved Hospital Grade Power Plug, Color:Black
2	IEC60320 C13, UL/CSA Approved 3 Plug,15A/125V, Color: Black
1	UL/CSA Approved, SJT 14AWG x 3C ,OD:9.3mm, Balck Outer PVC Jacket
No.	Specifications

Item Number:	10W2-515xxBK	
Title:	Hospital Grade, Green Dot, Power Cord, Nema 5-15 to C13, 14 AWG, SJT, 15 Amp / 125 Volt	
Drawn by:	JL	
Approved by:	MAC	
ID:	1	