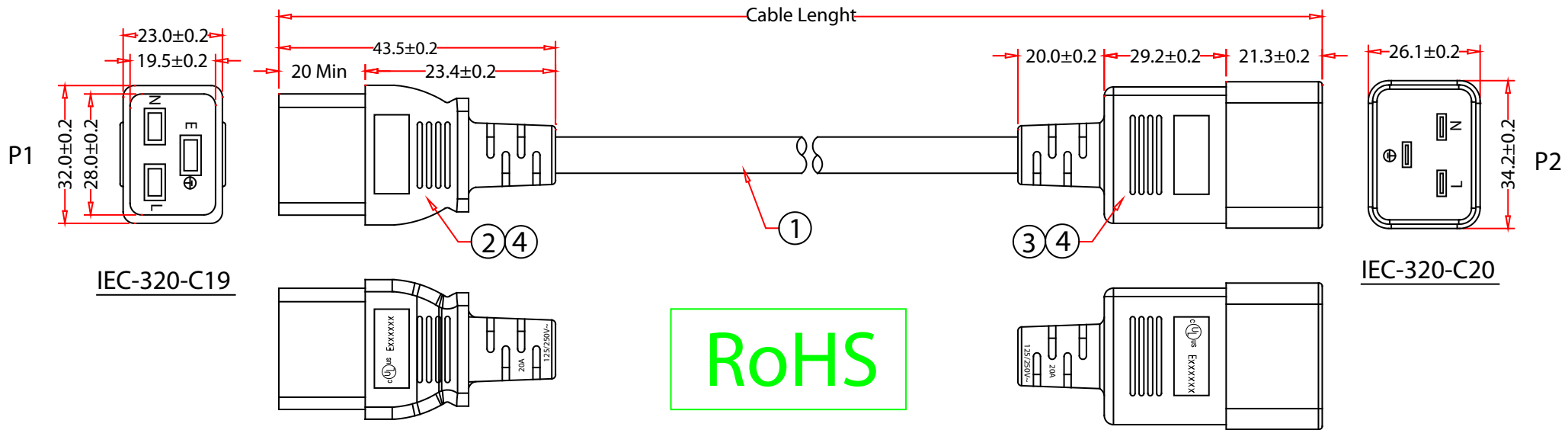
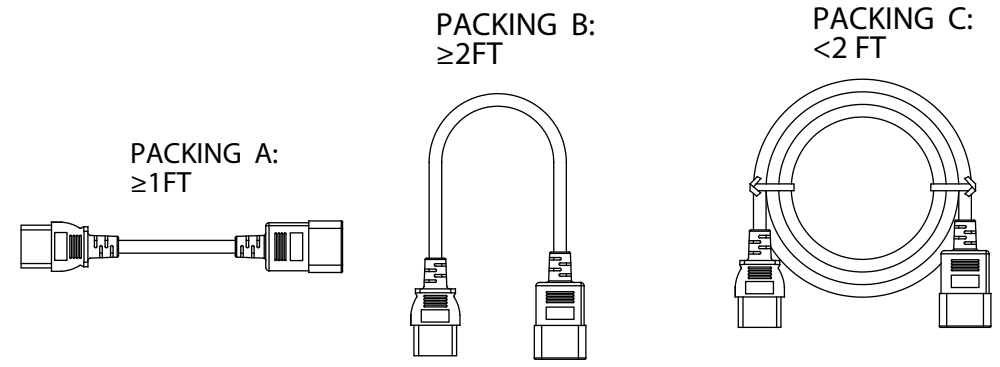


Rev.	Description	Date
A		01-2023

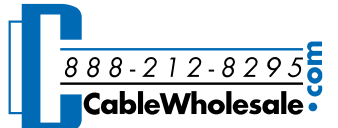


Pin Assignment	
P1	P2
L — Black — L	
N — White — N	
E — Green — E	



PART NO.	CABLE LENGTH
10W3-41202	2 FT
10W3-41203	3 FT
10W3-41206	6 FT
10W3-41208	8 FT
10W3-41210	10 FT

MARKING:
 (UL) SJT 3/C 12AWG(3.31MM²) VW-1 105°C 300V Exxxxxx
 CSA SJT 3/C 3.31MM²(12AWG) FT2 105°C 300V Exxxxxx MSL

Item Number:	10W3-412xxGN	
Title:	Power Extension Cord, Green, C20 to C19, 12AWG/3C, 20 Amp	
Drawn by:	JL	
Approved by:	MAC	
ID:	156	

No.	Specifications
4	Green Molded PVC Hood
3	UL/CSA Approved IEC-320-C20, 20 Amp, Color: Green
2	UL/CSA Approved IEC-320-C19, 20 Amp, Color: Green
1	UL Approved SJT 12AWG(3.31MM ²)*3C 105°C/300V, OD:11.0±0.3mm, Green