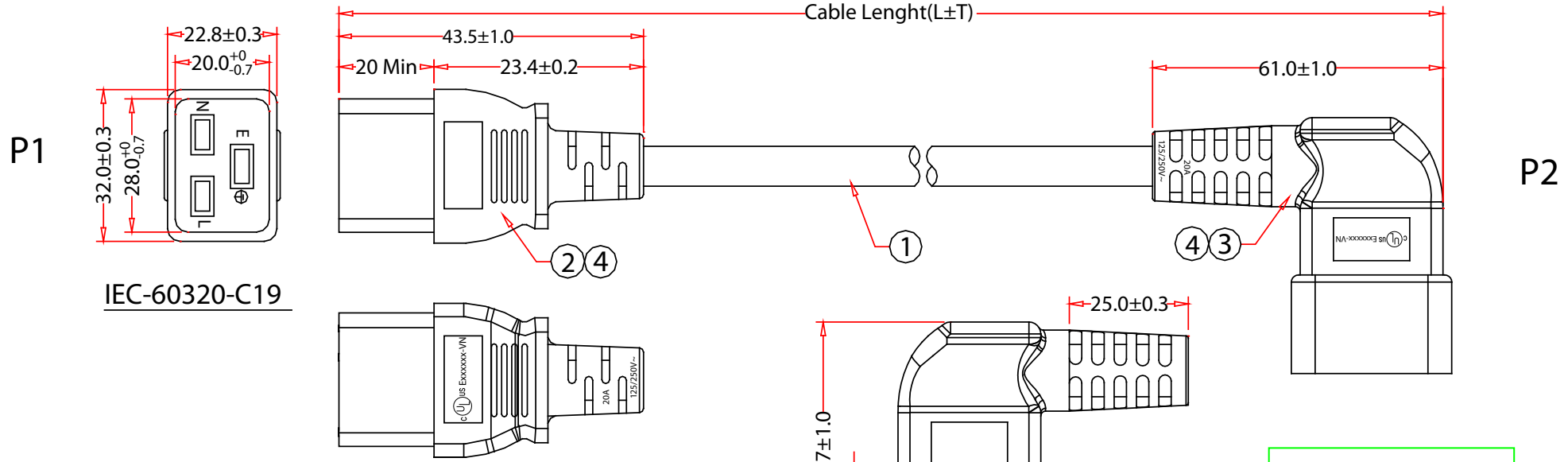


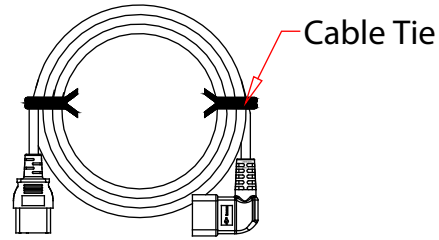
Rev.	Description	Date
A		01-2023



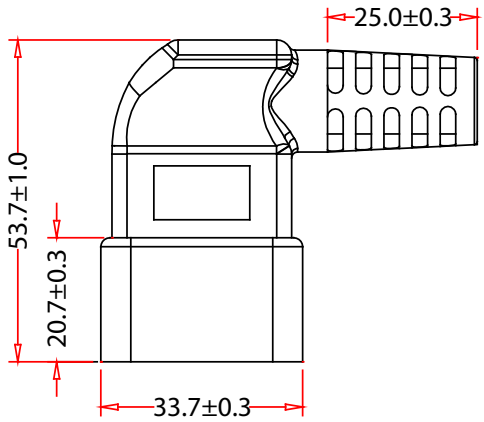
IEC-60320-C19

Pin Assignment	
P1	P2
L — Black — L	
N — White — N	
E — Green — E	

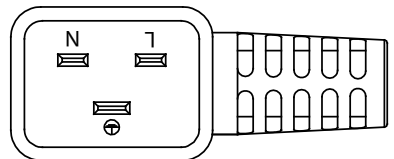
PACKING:



RoHS

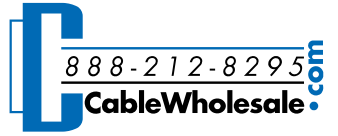


IEC-60320-C20 (Right Angle)



Cable Marking:  
 (UL) SJT 3/C 12AWG(3.31MM<sup>2</sup>) VW-1 105°C 300V Exxxxxx  
 C(UL) SJT 3/C 3.31MM<sup>2</sup> (12AWG) FT2 105°C 300V xxxxxx MSL-VN-

PART NO.	CABLE LENGTH	
	L	±T
10W3-41503	3 FT	±20mm
10W3-41506	6 FT	±30mm
10W3-41510	10 FT	±40mm

Item Number:	10W3-415xx	
Title:	Heavy Duty Server Power Extension Cord, Black, C20(Right Angle) to C19, 12AWG/3C, 20 Amp	
Drawn by:	JL	
Approved by:	MAC	
ID:	1	

No.	Specifications
4	Black Molded PVC Hood
3	UL/CSA Approved IEC-60320-C20, 20 Amp, Color: Black
2	UL/CSA Approved IEC-60320-C19, 20 Amp, Color: Black
1	UL Approved SJT 12AWG(3.13MM <sup>2</sup> )*3C 105°C/300V, OD:11.0±0.3mm, Black