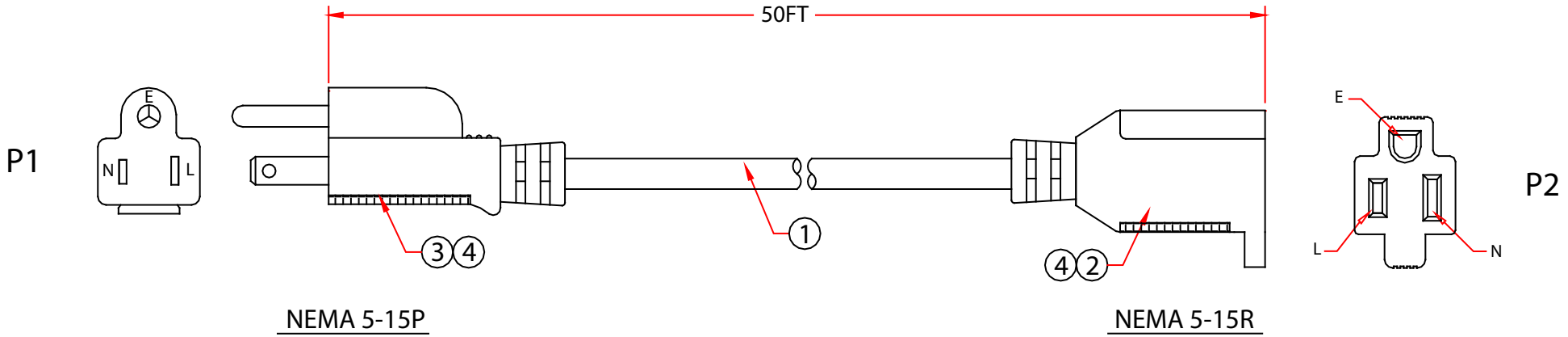


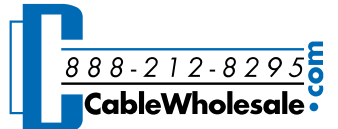
Rev.	Description	Date
A		02-2019



- Notes:
- * Electrical Ratings: 15A/ 125V/ 1875W
 - * Water Resistant
 - * Flame retardant
 - * LED indicator
 - * High visibility, Green with red stripe
 - * UL listed

Pin Assignment		
P1		P2
L	Black	L
N	White	N
E	Green	E

RoHS

		Item Number:	10W4-60550	
		Title:	Indoor / Outdoor Power Extension Cord, SJTW 12 AWG*3C/15 Amp, ETL, Green w/Red Stripe, 50 ft, UL	
		Drawn by:	JL	
		Approved by:	MAC	
		ID:	108	
No.	Specifications			
4	Transparent Molded PVC Hood			
3	UL/CSA Approved NEMA 5-15P,15A/ 125V, Color: Transparent			
2	UL/CSA Approved NEMA 5-15R, 15A/ 125V, Color: Transparent			
1	UL Approved SJTW 12AWG*3C , Jacket: Green w/Red Stripe			