

Product Specifications

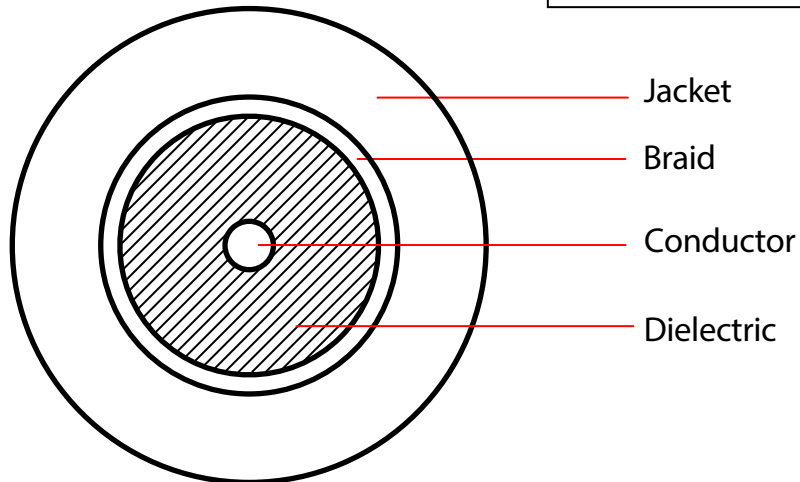
REV.	DESCRIPTION	DATE
A		
B		05-2009

Construction & Material :

Item		Specification
Product		RG 59 /U
Conductor	Construction	Solid 20AWG
	Material	Bare Copper
Insulation	Material	Foam PE
	Avg.thickness	0.056 inch
	Diameter	0.143 inch
Braid	Construction	0.12mm*7*16
	Material	Bare Copper
	Covering	95%
Jacket	Material	PVC
	Avg.thickness	0.034 inch
	Diameter	0.239 inch
	Color	Black(Other colors are available)

Frequency(MHz)	50	100	200	400	700	1000	1450	1800	2150	3000
Max.Attenuation (dB/100ft)@20C	1.8	2.5	3.4	5.4	6.9	8.2	11.1	12.6	14.0	17.5

Cross Section:



Characteristics		DRAWER	LIBRA
Impedance:	75±3 Ohm	CHECKED	
Capacitance:	17.0pF/Ft (Nom.)	APPROVED	
Velocity of Propagation	78%		
DCR:	10.2 ohms/mft@20C		
PART NUMBER:	TITLE:		
10X3-022TH-20	RG59 /U 20AWG, Solid, Braided Coaxial Cable, Black, 1000 ft, Spool		

