

Rev.	Description	Date
A		11-2020

Product Specifications

Construction & Material :

Item	Specifications	
Product	RG 6, Quad Shield, CMR	
Conductor	Construction	Solid 18AWG(1.02 ± 0.01 mm)
	Material	Copper
Dielectric	Material	Foamed PE
	Avg.thickness	1.85 mm
	Diameter	4.70 ± 0.10 mm
Inner Shield	Material	AL/Foil
Inner-Braid	Construction	60% Coverage
	Material	Aluminum
Outer Shield	Material	AL/Foil
Outer-Braid	Construction	60% Coverage
	Material	Aluminum
Jacket	Material	PVC
	Avg.thickness	0.75 mm
	Diameter	6.90 ± 0.20 mm
	Color	White & Black
Marking	RG6/U QUAD SHIELD 18AWG BC CMR FT4 XXXXXX VERIFIED TO C(ETL)US CATV SWEPT TO 3.0 GHZ ****FT	

Nominal Weight	36 lbs.	PART NO.	COLOR
		10X4-2122TH	Black
		10X4-2191TH	White

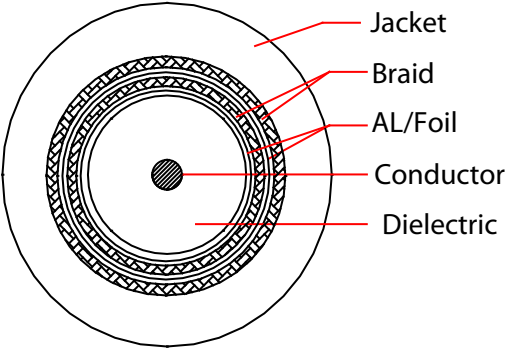
Electrical Performance

Frequency	Attenuation	Frequency	Attenuation
MHz	dB/100m	MHz	dB/100m
5	2.66	550	16.70
55	5.25	600	17.52
211	10.10	750	19.69
250	11.02	870	21.33
270	11.48	1000	22.97
300	12.14	1250	25.00
350	13.15	1450	26.37
400	14.11	2200	31.16
450	15.03	2400	32.83
500	15.88	3000	37.88

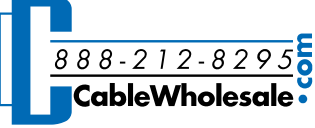
Electrical Characteristics

Temperature Rating	-20°C to 60°C
Impedence	75±3 Ohms
Capacitance	15.5 pF/ft
Conductor DCR@20°C	28.6 ohms/1000ft
Velocity of Propagation	84%

Cross Section



RoHS

Item Number:	10X4-21xxTH	
Title:	RG6ARG6U 18AWG Quad Shield, Pure Copper 3 GHz Coaxial Cable,1000 ft, Pullbox	
Drawn by:	JL	
Approved by:	MAC	
ID:	125	

No.	Specifications
-----	----------------