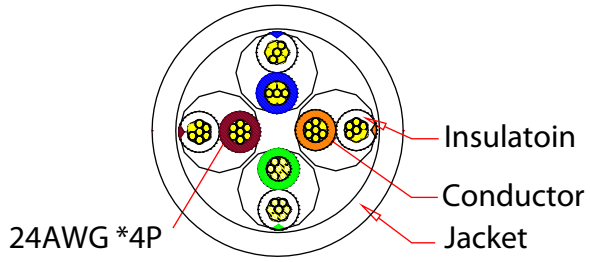
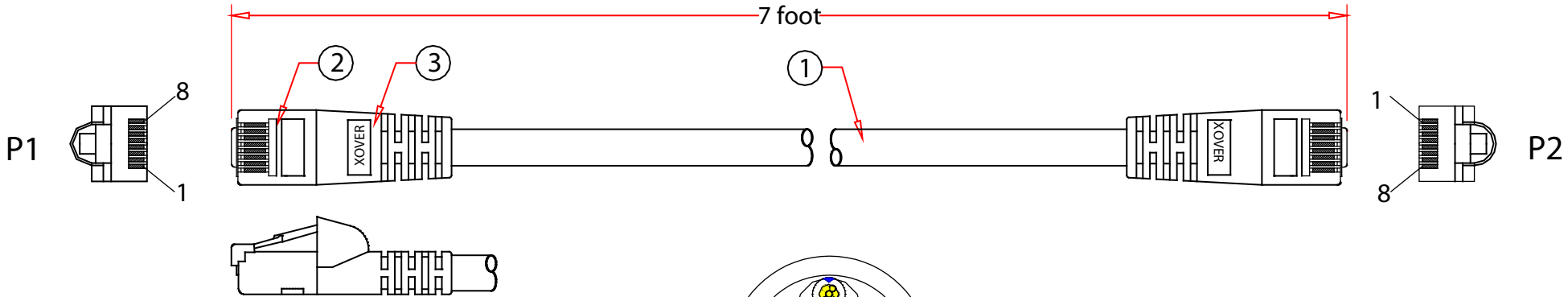


Rev.	Description	Date
A		11-2019



RoHS

Pin Assignment		
P1		P2
1	Orange	3
2	White/Orange	6
3	Green	1
6	White/Green	2
4	White/Blue	4
5	Blue	5
7	Brown	7
8	White/Brown	8

NOTES:
 1. Electrical Test:
 (1) 100% Open Short & Miswire Test.
 (2) Insulation Resistance 1 MΩ MIN.

		Item Number:	10X6-33707
3	Red PVC Molded Hood Boot	Title:	Cat5e Red Ethernet Crossover Cable, Snagless/Molded Boot, 7 foot
2	RJ45 8P8C Plug, Gold Plating 50u" on Contacts, Round Type	Drawn by:	JL
1	CAT.5e UTP, 24AWG(7/0.19mm AS)*4P, Stranded, ETL Verified, UL/CSA Approved, OD: 5.3mm, Red PVC Jacket	Approved by:	MAC
No.	Specifications	ID:	1

