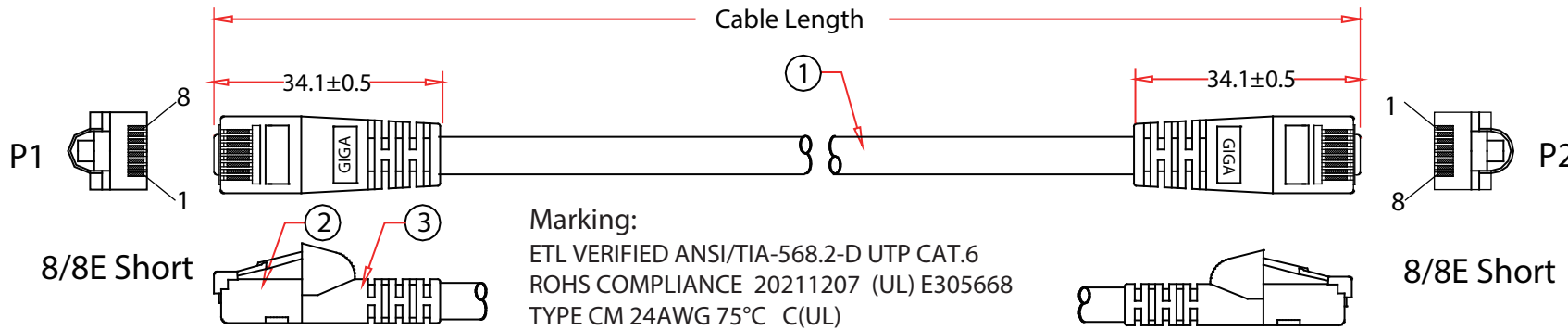
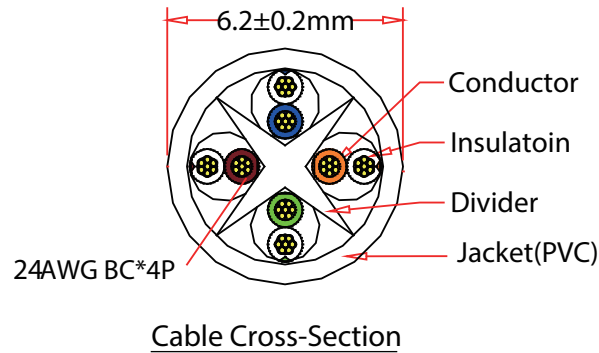


Rev.	Description	Date
B		04-2020



PART NO.	CABLE LENGTH
10X8-0xx00.5	0.5 FT
10X8-0xx01	1 FT
10X8-0xx01.5	1.5FT
10X8-0xx02	2 FT
10X8-0xx03	3 FT
10X8-0xx04	4 FT
10X8-0xx05	5 FT
10X8-0xx06	6 FT
10X8-0xx07	7 FT
10X8-0xx10	10 FT
10X8-0xx14	14 FT
10X8-0xx15	15 FT
10X8-0xx20	20 FT
10X8-0xx25	25FT
10X8-0xx35	35 FT
10X8-0xx50	50 FT
10X8-0xx75	75 FT
10X8-0xxHD	100 FT

Pin Assignment		
P1		P2
1	Orange	1
2	White/Orange	2
3	Green	3
6	White/Green	6
4	White/Blue	4
5	Blue	5
7	Brown	7
8	White/Brown	8



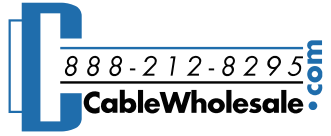
Color Options
21 Gray
22 Black
31 Orange
41 Purple
51 Green
61 Blue
71 Red
72 Pink
81 Yellow
91 White

RoHS

NOTES:
 1. Electrical Test:
 (1) 100% Open Short & Miswire Test.
 (2) Insulation Resistance 1 MΩ MIN.

PAGE: 1 of 2

3	PVC Molded Hood Boot
2	RJ45 8P8C Plug, Gold Plating 50u" on Contacts, Short Type, Triplex
1	CAT.6 UTP, 24AWG(7/0.19mm AS)*4P, Stranded, ETL Verified, UL/CSA Approved, OD: 6.2mm, Jacket PVC
No.	Specifications

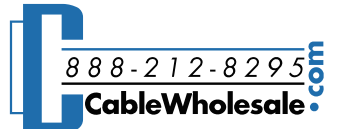
Item Number:	10X8-0xxxx	
Title:	Cat6 Ethernet Patch Cable, Snagless/Molded Boot	
Drawn by:	JL	
Approved by:	MAC	
ID:	156	

Rev.	Description	Date
B		04-2020

25ft Electrical Property :

Item	Unit	Specification	Standard			
D-C Conductor Resistance	Ohms/100M	AT 20°C	Max 9.38			
D-C Resistance Unbalance	%	-----	Max.5			
Capacitance Unbalance	pF/100 M	-----	Max.330			
Characteristic Impedance 1.0-100.0 MHz	Ohms/100M	-----	100 ± 15			
Temperature Rating	°C	-----	-10/+75			
Dielectric Withstand	AV/2 Sec.	1500V	No Breakdown			
Frequency	Attenuation	Return Loss	NEXT Pair-Pair	NEXT Power Sum	ELFEXT Pair-Pair	ELFEXT Power Sum
MHz	dB(100m)	dB	dB	dB	dB	dB
1	2.4	20.0	74.3	72.3	67.8	64.8
10	7.1	25.0	59.3	57.3	47.8	44.8
31.25	12.8	23.3	51.9	49.9	37.9	34.9
62.5	18.5	20.7	47.4	45.4	31.9	28.8
100	23.8	19.0	44.3	42.3	27.8	24.8
125	26.8	18.2	42.8	40.8	25.9	22.9
200	34.8	16.4	39.8	37.8	21.7	18.8
250	39.4	15.6	38.3	36.3	19.8	16.8



Item Number:	10X8-0xxxx	
Title:	Cat6 Ethernet Patch Cable, Snagless/Molded Boot	
Drawn by:	JL	
Approved by:	MAC	
ID:	156	

No.	Specifications
-----	----------------