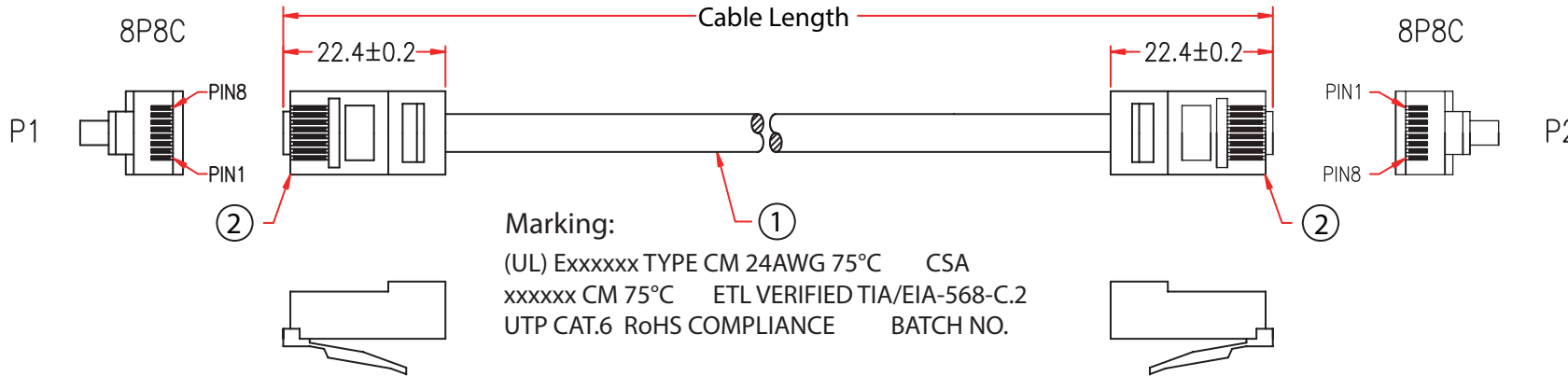


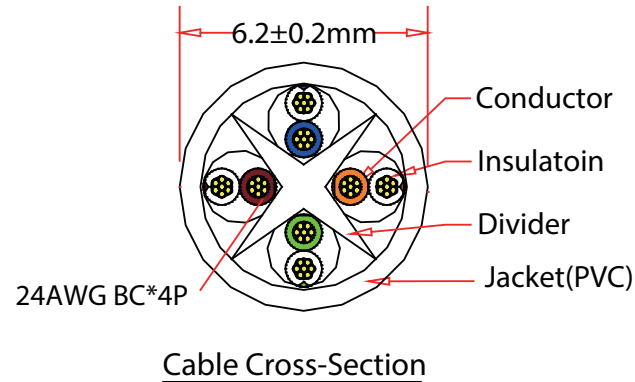
RoHS

| Rev. | Description | Date |
|------|-------------|---------|
| B | | 04-2020 |



Marking:
 (UL) Exxxxxx TYPE CM 24AWG 75°C CSA
 xxxxxx CM 75°C ETL VERIFIED TIA/EIA-568-C.2
 UTP CAT.6 RoHS COMPLIANCE BATCH NO.

| PART NO. | CABLE LENGTH |
|--------------|--------------|
| 10X8-1xx00.5 | 0.5 FT |
| 10X8-1xx01 | 1 FT |
| 10X8-1xx02 | 2 FT |
| 10X8-1xx03 | 3 FT |
| 10X8-1xx04 | 4 FT |
| 10X8-1xx05 | 5 FT |
| 10X8-1xx06 | 6 FT |
| 10X8-1xx07 | 7 FT |
| 10X8-1xx10 | 10 FT |
| 10X8-1xx14 | 14 FT |
| 10X8-1xx15 | 15 FT |
| 10X8-1xx20 | 20 FT |
| 10X8-1xx25 | 25 FT |
| 10X8-1xx30 | 30 FT |
| 10X8-1xx35 | 35 FT |
| 10X8-1xx50 | 50 FT |
| 10X8-1xx75 | 75 FT |
| 10X8-1xxHD | 100 FT |



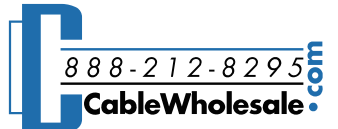
| Color Options |
|---------------|
| 21 Gray |
| 22 Black |
| 31 Orange |
| 41 Purple |
| 51 Green |
| 61 Blue |
| 71 Red |
| 72 Pink |
| 81 Yellow |
| 91 White |

| Pin Assignment | | |
|----------------|--------------|----|
| P1 | | P2 |
| 1 | Orange | 1 |
| 2 | White/Orange | 2 |
| 3 | Green | 3 |
| 6 | White/Green | 6 |
| 4 | White/Blue | 4 |
| 5 | Blue | 5 |
| 7 | Brown | 7 |
| 8 | White/Brown | 8 |

NOTES:
 1.Electrical Test:
 (1)100% Open Short & Miswire Test.
 (2) Insulation Resistance 1 MΩ MIN.

PAGE: 1 of 2

| | |
|-----|---|
| 3 | |
| 2 | RJ45 8P8C Plug, Gold Plating 50u" on Contacts, Triplex |
| 1 | CAT.6 UTP, 24AWG(7/0.19mm AS)*4P, Stranded, ETL Verified, UL/CSA Approved, OD: 6.2mm, Jacket PVC |
| No. | Specifications |

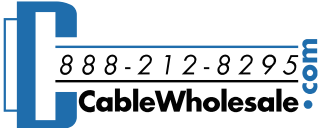
| | | |
|--------------|--------------------------------------|---|
| Item Number: | 10X8-1xxxx | |
| Title: | Cat.6 Ethernet Patch Cable, Bootless | |
| Drawn by: | JL |  |
| Approved by: | MAC | |
| ID: | 156 | |

25ft Electrical Property :

| Item | Unit | Specification | Standard | | | |
|---|-------------|---------------|-------------------|-------------------|---------------------|---------------------|
| D-C Conductor Resistance | Ohms/100M | AT 20°C | Max 9.38 | | | |
| D-C Resistance Unbalance | % | ----- | Max.5 | | | |
| Capacitance Unbalance | pF/100 M | ----- | Max.330 | | | |
| Characteristic Impedance 1.0-100.0 MHz | Ohms/100M | ----- | 100 ± 15 | | | |
| Temperature Rating | °C | ----- | -10/+75 | | | |
| Dielectric Withstand | AV/2 Sec. | 1500V | No Breakdown | | | |
| Frequency | Attenuation | Return Loss | NEXT Pair-Pair | NEXT Power Sum | ELFEXT Pair-Pair | ELFEXT Power Sum |
| MHz | dB(100m) | dB | dB | dB | dB | dB |
| 1 | 2.4 | 20.0 | 74.3 | 72.3 | 67.8 | 64.8 |
| 10 | 7.1 | 25.0 | 59.3 | 57.3 | 47.8 | 44.8 |
| 31.25 | 12.8 | 23.3 | 51.9 | 49.9 | 37.9 | 34.9 |
| 62.5 | 18.5 | 20.7 | 47.4 | 45.4 | 31.9 | 28.8 |
| 100 | 23.8 | 19.0 | 44.3 | 42.3 | 27.8 | 24.8 |
| 125 | 26.8 | 18.2 | 42.8 | 40.8 | 25.9 | 22.9 |
| 200 | 34.8 | 16.4 | 39.8 | 37.8 | 21.7 | 18.8 |
| 250 | 39.4 | 15.6 | 38.3 | 36.3 | 19.8 | 16.8 |

| Rev. | Description | Date |
|------|-------------|---------|
| B | | 04-2020 |



| | | |
|--------------|--------------------------------------|---|
| Item Number: | 10X8-1xxxx | |
| Title: | Cat.6 Ethernet Patch Cable, Bootless | |
| Drawn by: | JL |  |
| Approved by: | MAC | |
| ID: | 156 | |

| | |
|-----|----------------|
| No. | Specifications |
|-----|----------------|