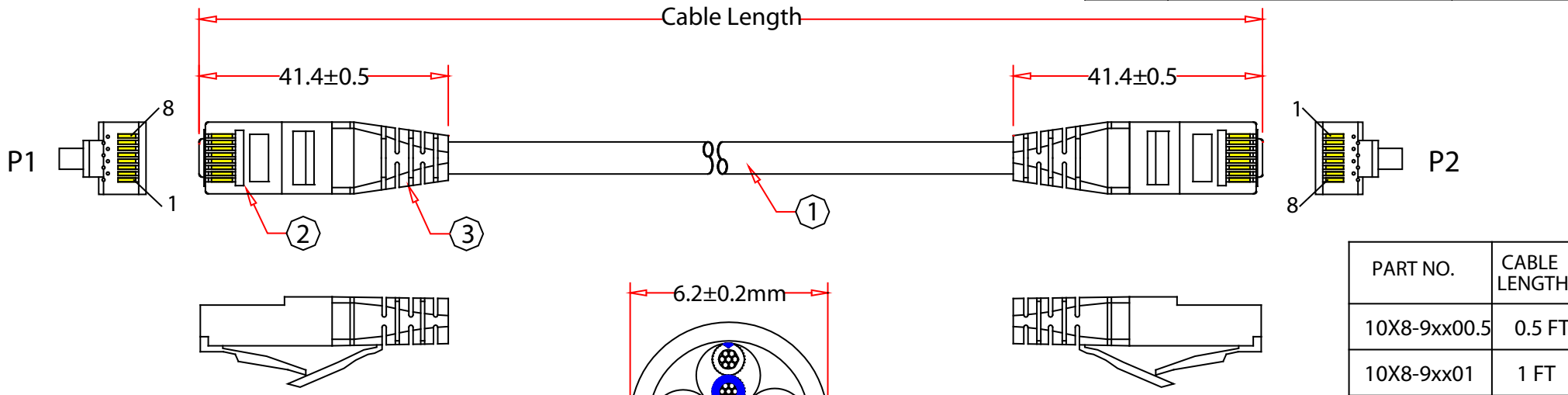
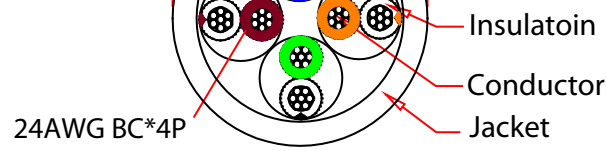


Rev.	Description	Date
A		12-2020



PART NO.	CABLE LENGTH
10X8-9xx00.5	0.5 FT
10X8-9xx01	1 FT
10X8-9xx02	2 FT
10X8-9xx03	3 FT
10X8-9xx05	5 FT
10X8-9xx07	7 FT
10X8-9xx10	10 FT
10X8-9xx14	14 FT
10X8-9xx15	15 FT
10X8-9xx20	20 FT
10X8-9xx25	25 FT

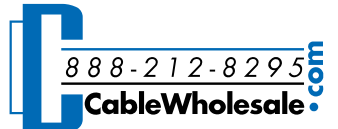
Pin Assignment		
P1		P2
1	Orange	1
2	White/Orange	2
3	Green	3
6	White/Green	6
4	White/Blue	4
5	Blue	5
7	Brown	7
8	White/Brown	8



Color Options
21 Gray
22 Black
31 Orange
41 Purple
51 Green
61 Blue
71 Red
81 Yellow
91 White

RoHS

No.	Specifications
3	8P8C Transparent Boot (OD:6.7mm)
2	RJ45 8P8C Modular Plug, Gold Plated 50u" on Contacts, Triplex
1	ETL Verified,UL/CSA approved, UTP CAT6 24AWG*4P Bare Copper , OD:6.2mm,Jacket PVC

Item Number:	10X8-9xxxx	
Title:	Cat6 Ethernet Patch Cable, Finger Boot, Clear	
Drawn by:	JL	
Approved by:	MAC	
ID:	1	