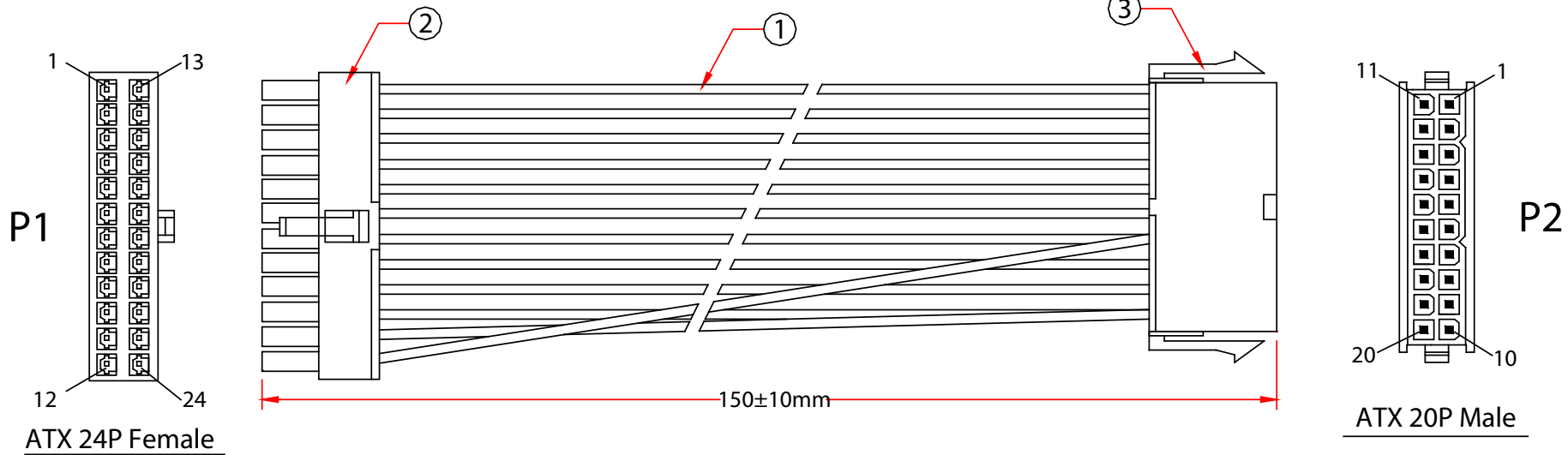


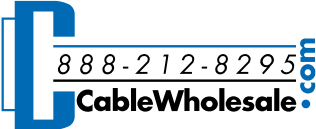
Rev.	Description	Date
A		02-2023



Pin Assignment				
P1		P2	P1	P2
1	16# Orange	1	13	16# Orange
2	20# Orange	2	14	16# Blue
12	20# Orange		15	16# Black
3	16# Black	3	16	16# Green
4	16# Red	4	17	16# Black
5	16# Black	5	18	16# Black
6	16# Red	6	19	20# Black
7	16# Black	7	24	20# Black
8	16# Gray	8	20	16# White
9	16# Purple	9	21	16# Red
10	20# Yellow	10	22	20# Red
11	20# Yellow		23	20# Red

RoHS

3	ATX 20P Male, Pitch:4.2mm, Housing: White
2	ATX 24P Female, Pitch:4.2mm, Housing: White
1	UL1061 16# , OD:2.1mm, Length:130mm(7PCS), Length:135mm(1PCS), UL1061 20# , OD:1.5mm, Length:130mm(16PCS)
No.	Specifications

Item Number:	11W3-07206	
Title:	ATX 20 M to ATX 24 F Power Adapter Cable, 6in	
Drawn by:	JL	
Approved by:	MAC	
ID:	1	