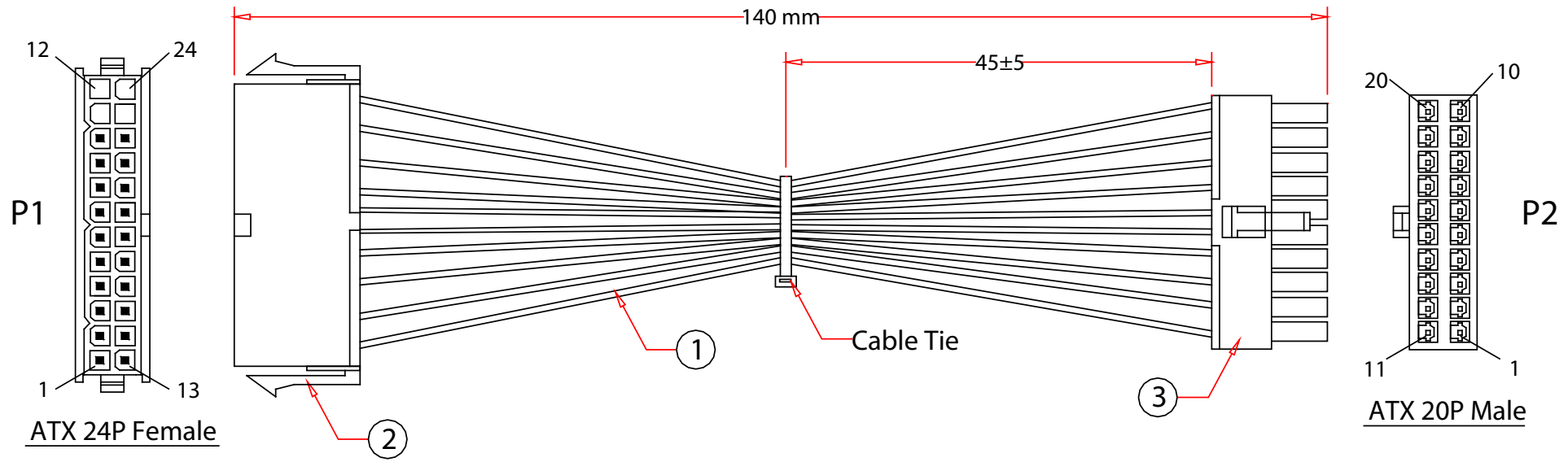


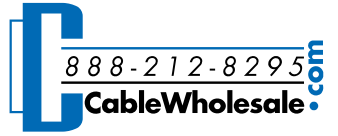
Rev.	Description	Date
A		02-2023



Pin Assignment					
P1	P2		P1	P2	
1	1	Orange	11	11	Orange
2	2	Orange	12	12	Blue
3	3	Black	13	13	Black
4	4	Red	14	14	Green
5	5	Black	15	15	Black
6	6	Red	16	16	Black
7	7	Black	17	17	Black
8	8	Gray	18	18	White
9	9	Purple	19	19	Red
10	10	Yellow	20	20	Red

RoHS

3	ATX 20P Male , Pitch 4.2mm, Housing: White
2	ATX 24P Female , Pitch 4.2mm, Housing: White
1	UL1061 16# /1C, OD:2.1mm, Length:115mm, Orange(3PC), Black(7PC), Red(4PC) , Gray(1PC), Purple(1PC), Blue(1PC), Green(1PC), White(1PC), Yellow(1PC)
No.	Specifications

Item Number:	11W3-24506	
Title:	ATX 24-pin Female to ATX 20-pin Male, Computer Power Supply Motherboard power Adapter, 6in	
Drawn by:	JL	
Approved by:	MAC	
ID:	1	