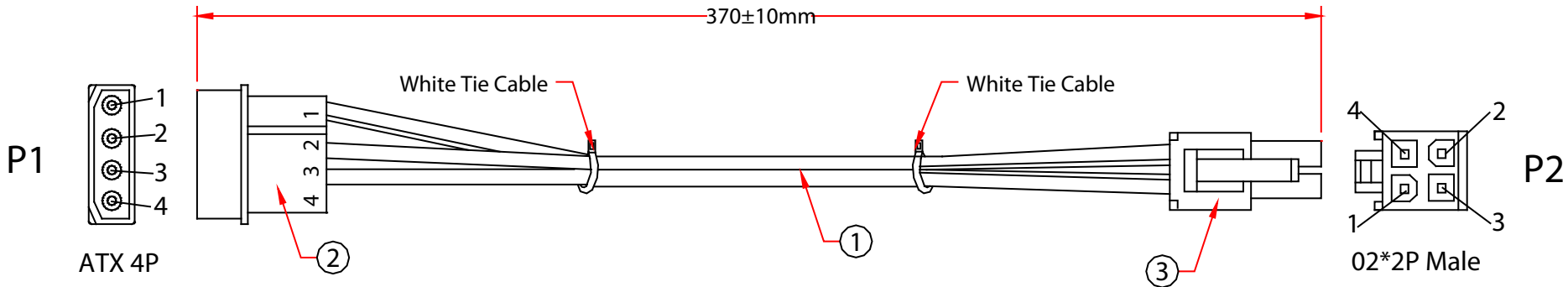
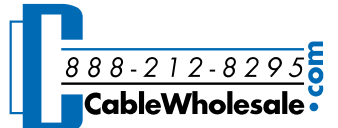


Rev.	Description	Date
A		02-2023



Pin Assignment		
P1		P2
1	Yellow	4
1	Yellow	3
2	Black	2
3	Black	1

RoHS

		Item Number:	11W3-24615	
		Title:	P4 12V to ATX Power Supply Adapter Cable, 15inch	
		Drawn by:	JL	
		Approved by:	MAC	
		ID:	1	
No.	Specifications			
3	ATX 4P , Pitch 5.08mm			
2	2*2P Male , Pitch 4.2mm			
1	UL1061 18# /1C, OD:1.8mm, Length:350mm, Black(2PCS), Yellow(2PCS)			