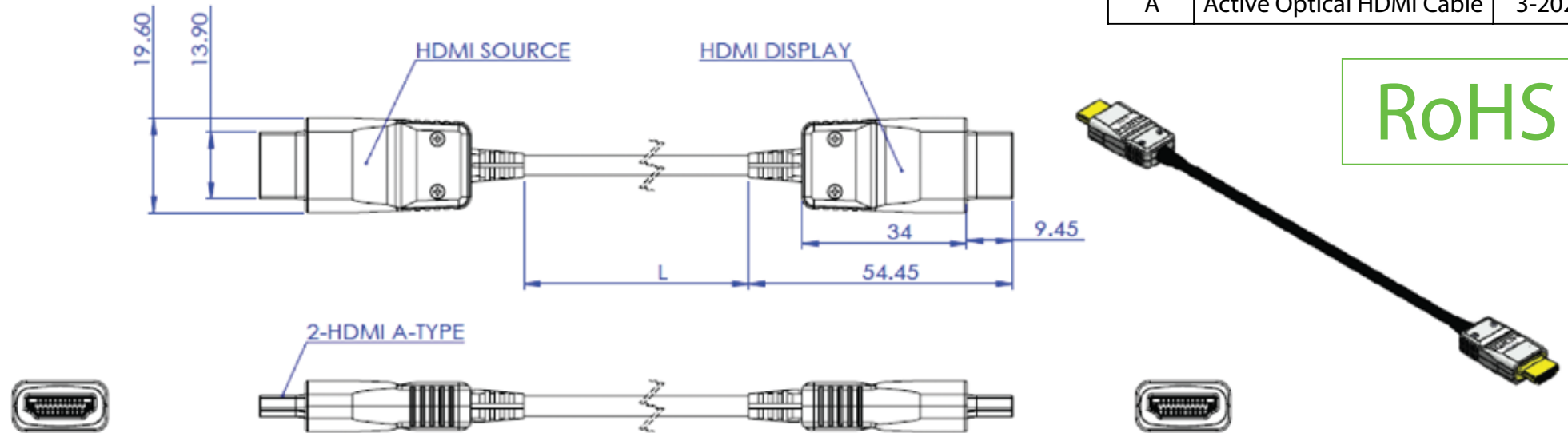


The operating current is changed according to the resolution

Rev.	Description	Date
A	Active Optical HDMI Cable	3-2023

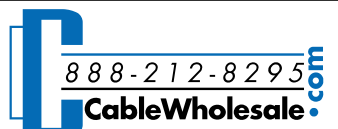


Technical Specifications

HDMI Support	HDMI 2.0 Point-to-Point or HDMI 1.4b Multi-Point Applications
Video Formats	4K60 / 3D / 1080p / 1080i / 720p
Data Rates	18 Gbps Max.
Support Features	HDCP / EDID / CEC / DDC
Signal Input & Output Connector	HDMI A-Type (Plug)
Audio Support	Yes
Cable Length	35', 50', 75', 100, 150' ETL Plenum /CMP Rated
Single-ended input swing voltage	400mV < Vswing < 800mV
General	
Voltage	5V DC
Power Supplied Connector	N/A
Operating Temperature	0°C to 60°C
Humidity	0% ~ 85% RH

Electric Characteristics

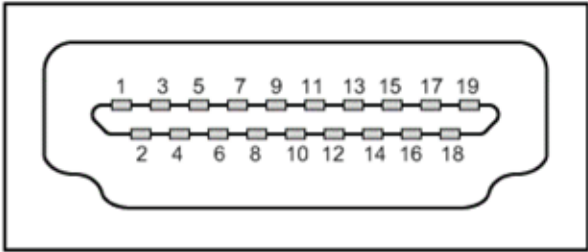
Parameter	Symbol	Min.	Typ.	Max	Unit
Operating Current ²	IOP	48		125	mA
Power Consumption	PO	0.24		0.63	W
TMDS Different Input Voltage	VID	400		1600	mV
TMDS Different Output Voltage	VOD	200	300	400	mV
TMDS Data Bit Rate		250		6000	Mbps

Item Number:	13V4-511xx	
Title:	Active Optical HDMI Cable	
Drawn by:	MNM	
Approved by:	MAC	
ID:		

Rev.	Description	Date
A	Active Optical HDMI Cable	3-2023

Physical Characteristics

Pin	Symbol	
1	TMDS2+	TMDS data signal channel 2 positive
2	GND	TMDS data signal channel 2 shield
3	TMDS2-	TMDS data signal channel 2 negative
4	TMDS1+	TMDS data signal channel 1 positive
5	GND	TMDS data signal channel 1 shield
6	TMDS1-	TMDS data signal channel 1 negative
7	TMDS0+	TMDS data signal channel 0 positive
8	GND	TMDS data signal channel 0 shield
9	TMDS0-	TMDS data signal channel 0 negative
10	TMDSC+	TMDS data signal channel C positive
11	GND	TMDS data signal channel C shield
12	TMDSC-	TMDS data signal channel C negative
13	CEC	Consumer Electronics Control
14	RESERVED	TBD
15	SCL	Display Data Channel Clock line
16	SDA	Display Data Channel Data line
17	GND	Display Data Channel / CEC Shield
18	VCC5V	+5V Input for Transmitter from Source Host +5V Output for Sink Monitor from Receiver
19	HPD	Hot Plug Detect Signal



Active Optical HDMI Cable

Part no.	Cable Length
13V4-51135	35 foot
13V4-51150	50 foot
13V4-51175	75 foot
13V4-511HD	100 foot

Item Number:	13V4-511xx	
Title:	Active Optical HDMI Cable	
Drawn by:	MNM	
Approved by:	MAC	
ID:		