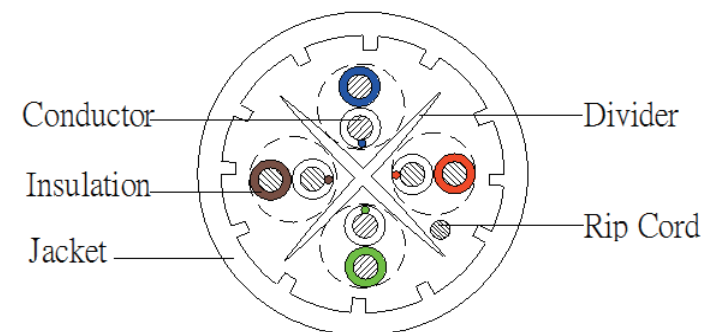


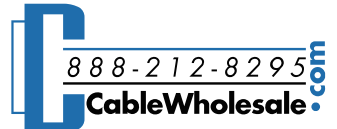
Product Specifications

Rev.	Description	Date
A		10-2023

Construction & Material :

Item	Unit	Specification
Product		CAT.6A UTP 4P CM Rated
Conductor	Size	AWG 23
	Number	pairs 4
	Material	Solid Bare Copper
	Construction	pcs/mm 1/0.57±0.005/-0.008
Insulation	Material	HDPE
	Min.thickness	mm 0.195
	Avg.thickness	mm 0.208
	Diameter	mm 1.05±0.05
	Color	Blue-White/Blue Orange-White/Orange Green-White/Green Brown-White/Brown
Twisting	Construction	See Cross Section
Divider	Material	PE
Filler	Construction	Nylon
Jacket	Material	PVC (CM)
	Min.thickness	0.558
	Avg.thickness	mm 0.685
	Overall Diameter	mm 6.40±0.20
	Color	White (ULC-436/50P)
Marking	E188630 A TYPE CM 4P 23AWG 75°C c(UL)us Category 6A U/UTP +BATCH NO + 2FT...1000FT	



Item Number:	13X6-091NH	
Title:	Bulk Cat6a Ethernet Cable, 10 gig Solid, UTP (Unshielded Twisted Pair), POE Compliant, 500Mhz, White, 23 AWG, Spool, 1000 foot	
Drawn by:	JL	
Approved by:	MAC	
ID:	085CN	

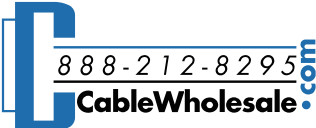
No.	Specifications
-----	----------------

Rev.	Description	Date
A		10-2023

25ft Electrical Property :

Item	Unit	Specification	Standard			
D-C Conductor Resistance	Ohms/100M	AT 20°C	Max 9.38			
D-C Resistance Unbalance	%	-----	Max.5			
Capacitance Unbalance	pF/100 M	-----	Max.330			
Characteristic Impedance 1.0-100.0 MHz	Ohms/100M	-----	100 ± 15			
Temperature Rating	°C	-----	-10/+75			
Dielectric Withstand	AV/2 Sec.	1500V	No Breakdown			
Frequency	Attenuation	Return Loss	NEXT Pair-Pair	NEXT Power Sum	ELFEXT Pair-Pair	ELFEXT Power Su
MHz	dB(100m)	dB	dB	dB	dB	dB
1	2.4	20.0	74.3	72.3	67.8	64.8
10	7.1	25.0	59.3	57.3	47.8	44.8
31.25	12.8	23.3	51.9	49.9	37.9	34.9
62.5	18.5	20.7	47.4	45.4	31.9	28.8
100	23.8	19.0	44.3	42.3	27.8	24.8
125	26.8	18.2	42.8	40.8	25.9	22.9
200	34.8	16.4	39.8	37.8	21.7	18.8
250	39.4	15.6	38.3	36.3	19.8	16.8
300	42.5	14.2	37.1	35.5	17.2	15.1
400	48.3	12.8	33.2	34.2	15.1	13.5
500	50.1	11.5	31.5	32.4	12.7	10.5



Item Number:	13X6-091NH	
Title:	Bulk Cat6a Ethernet Cable, 10 gig Solid, UTP (Unshielded Twisted Pair), POE Compliant, 500Mhz, White, 23 AWG, Spool, 1000 foot	
Drawn by:	JL	
Approved by:	MAC	
ID:	085CN	

No.	Specifications
-----	----------------