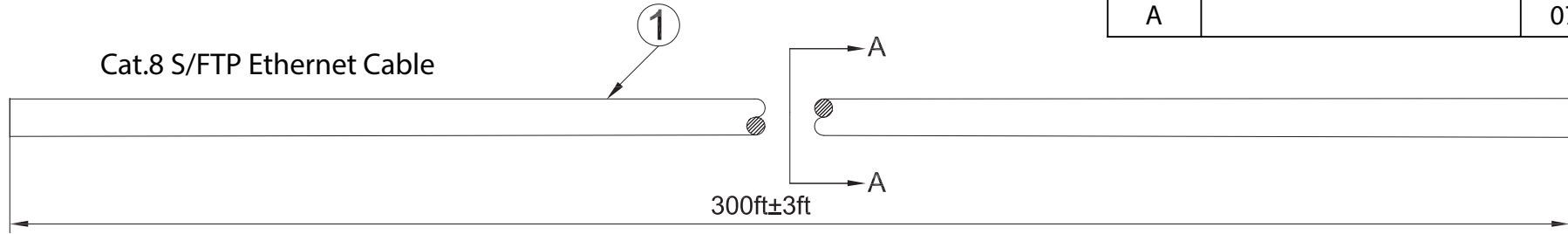
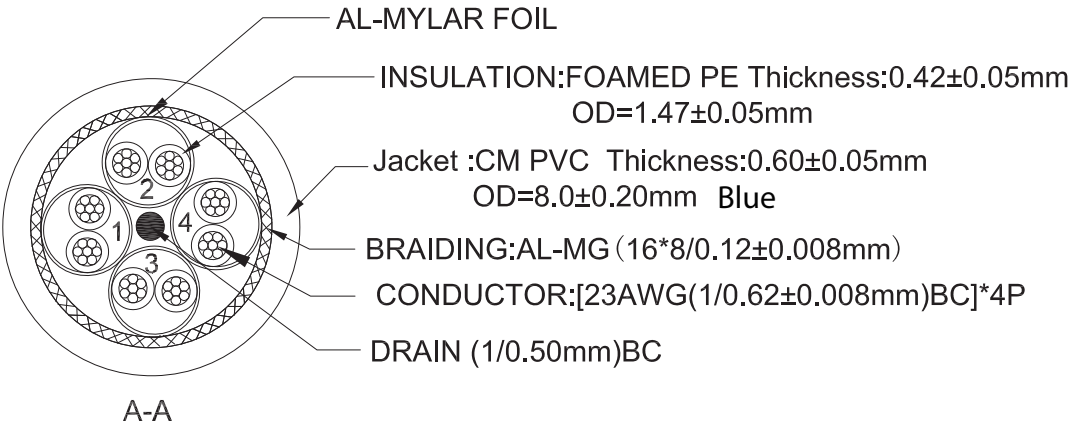


Rev.	Description	Date
A		07-2023



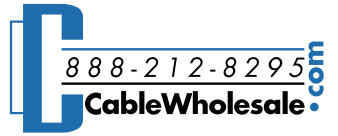
MARING:Cat.8 S/FTP 40G BASE-T 2000MHz 4 PAIRS PVC AWG23 4FT 8FT 12FT 16F.....300FT



- 1.Physical Characteristic
- ◆ Temperature Rating: 75°C
 - ◆ Voltage rating: 300V AC
 - ◆ Elongation at conductors: ≥10%
 - ◆ Elongation at insulation: ≥300%
 - ◆ Tensile strength of insulation: ≥16.5MPa
 - ◆ Elongation at jacket: ≥100%
 - ◆ Tensile strength of jacket: ≥10.3MPa
- 2.Electrical Characteristics
- ◆ Conductor DC resistance: 73.2Ω/KM @ 20°C
 - ◆ DC Resistance Unbalance: ≤5%
 - ◆ Insulation resistance: ≥500MΩ/100m
 - ◆ Dielectric Test: 500V DC/1min; No Breakdown

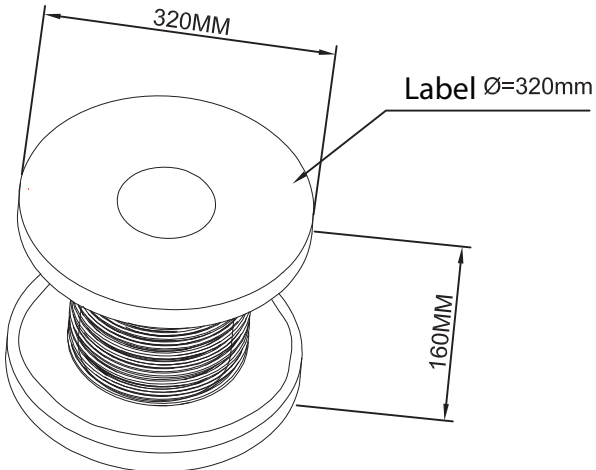
orange 1	green 2
white/orange	white/orange
blue 3	brown 4
white/blue	white/brown



Item Number:	13X8-561N3	
Title:	Bulk Cat8 Blue S/FTP Ethernet Cable, Solid, 23AWG, 40Gbps - 2000MHz, 300 Foot, Spool	
Drawn by:	JL	
Approved by:	MAC	
ID:	108	

2	
1	CAT.8 S/FTP 4P 23AWG(1/0.62 BC) +Drain+Braid, OD=8.0±0.2mm,CM PVC Blue
No.	Specifications

Rev.	Description	Date
A		07-2023



300 Foot/Spool



Label

Main Mark

Side Mark

<p>P/O: P/N: Q'TY: C/NO.:</p> <p>MADE IN CHINA</p>	<div style="display: flex; justify-content: space-around;"> <div style="text-align: center;"> </div> <div style="text-align: center;"> </div> <div style="text-align: center;"> <p>RoHS Compliant</p> </div> </div> <p>P/N: Q'TY: PCS N.W.: KGS G.W.: KGS Date Code: Vender Code:</p>
33cm	33cm
23cm	



Item Number:	13X8-561N3	
Title:	Bulk Cat8 Blue S/FTP Ethernet Cable, Solid, 23AWG, 40Gbps - 2000MHz, 300 Foot, Spool	
Drawn by:	JL	
Approved by:	MAC	
ID:	108	

No.	Specifications
-----	----------------