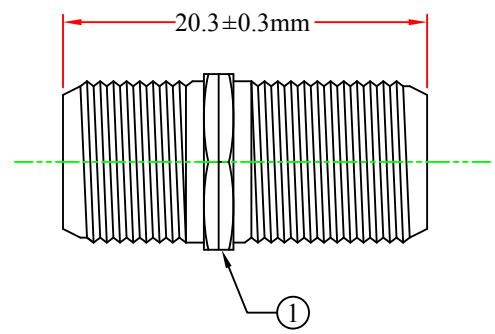
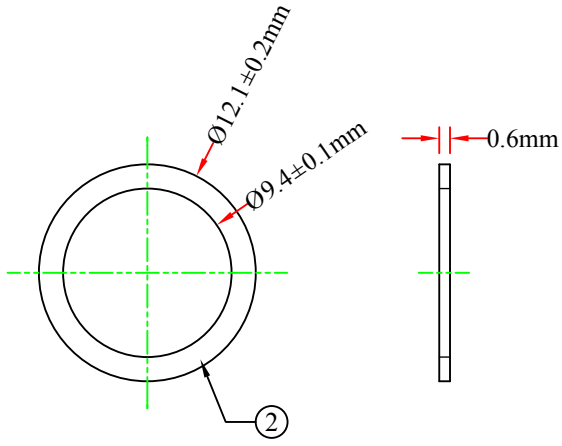
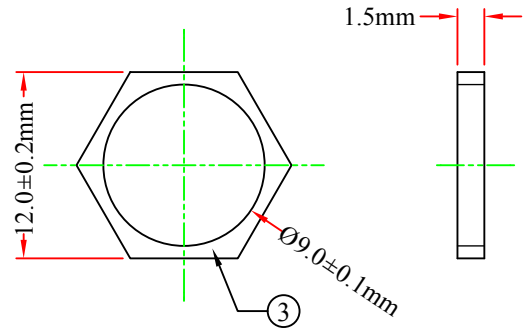


REV.	DESCRIPTION	DATE
A		08-2012

RoHS



F-Pin (Coax) Coupler, Female / Female

3	Six Angle Gasket, Material: zinc, Nickel Plated
2	Ring Gasket, Material: zinc, Nickel Plated
1	F-Pin (Coax) Coupler, Female / Female, Panel Mount
NO.	SPECIFICATIONS
BOM LIST	

ITEM NUMBER	200-053			DRAWER	JL
TITLE	F-Pin (Coax) Coupler, Female / Female, Panel Mount			CHECKED	
				APPROVED	
MATERIAL		SCALE			
REV.	A	UNIT	INCH		
DRAWING NO:				 888-212-8295.com	