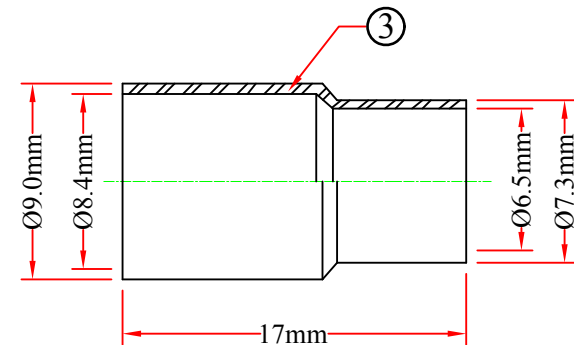
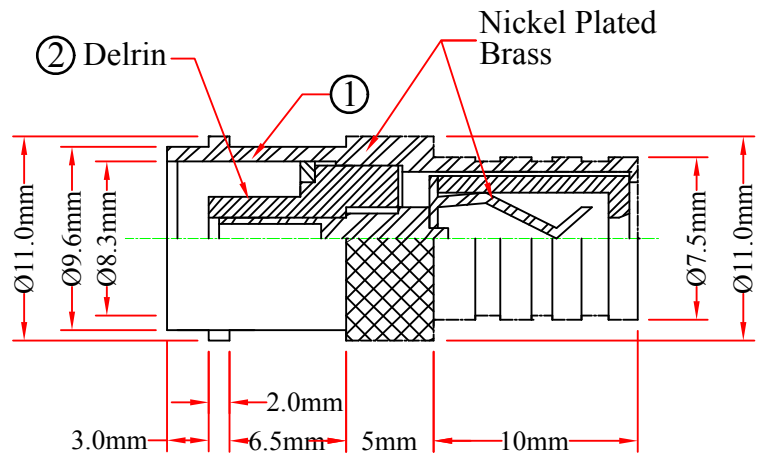


RoHS

REV.	DESCRIPTION	DATE
A		01-2013



3	Brass /Nickel Plated
2	Dielectric Delrin
1	BNC Female Crimp Connector for RG59/62, Body Brass /Nickel Plated ,Contact Brass/ Beryllium Gold Plated
NO.	SPECIFICATIONS
	BOM LIST

ITEM NUMBER	200-135			DRAWER	JL
TITLE	BNC Female Crimp Connector for RG59/62, 2 Piece			CHECKED	
MATERIAL		SCALE		APPROVED	
REV.	A	UNIT	INCH		
DRAWING NO:				 888-212-8295.com	